

ENGINE

Model Cummins B4.5

Type:
Water-cooled, 4-cycle diesel, 4-cylinder in line,
High pressure common rail system
(electric control), turbocharger with air
cooled intercooler, DOC+DPF+SCR,
EGR free.

Emissions Certification Tier 4 Final/Stage V

Cylinders 4

Displacement 274.6 in³ (4.5 L)

Rated flywheel horse power:

ISO 9249 at 2200 RPM 170 hp (127 kW)

ISO 14396 at 2200 RPM 173 hp (129 kW)

Maximum torque:

ISO 14396 at 1500 RPM 575 ft-lb (780 Nm)

HYDRAULIC SYSTEM

Main pump Variable displacement
piston pump

Max. oil flow at 1800 RPM:

68.9 gpm (261 L/min)

Working circuit pressure:

Boom/Arm/Bucket:

4,975 psi (34.3 MPa) - 5,410 psi (37.3 MPa)
with auto power boost

Swing circuit 3,655 psi (25.2 MPa)

Travel circuit 5,685 psi (39.2 MPa)

Pilot circuit 566 psi (3.9 MPa)

SWING

Swing motor:
Fixed displacement radial piston motor

Maximum swing speed 9.5 RPM

Swing torque 28,839 ft-lb (39 100 Nm)

Brake system Automatic, spring applied
hydraulic released

ELECTRICAL SYSTEM

Voltage 24 V

Alternator 95 Amp

Starter 24 V - 4.8 kW

Battery 2 X 12 V 100 Ah

STEERING

Type Orbitrol steering system

Minimum turning radius 20 ft 8 in (6.3 m)

AXLES

Type:

4 wheel drive with differential, oscillating front
axle with automatic or operator controlled
oscillation lock, fixed rear axle.

Brake type Wet multi-disc

Parking brake type Wet multi-disc integrated
in transmission

UNDERCARRIAGE

Transmission 2 speed hydrostatic powershift

Travel motor Variable displacement
bent-axis axial piston motor

High travel speed (Automatic travel speed shifting):
22 mph (35 km/h)

Low travel speed 6.2 mph (10 km/h)

Creep speed 1.9 mph (3 km/h)

Drawbar pull 20,458 lbf (91 kN)

Gradeability 58% (30°)

NOISE

External sound level LwA 100 dB(A)

Operator cab sound pressure level:

LpA 71 dB(A)

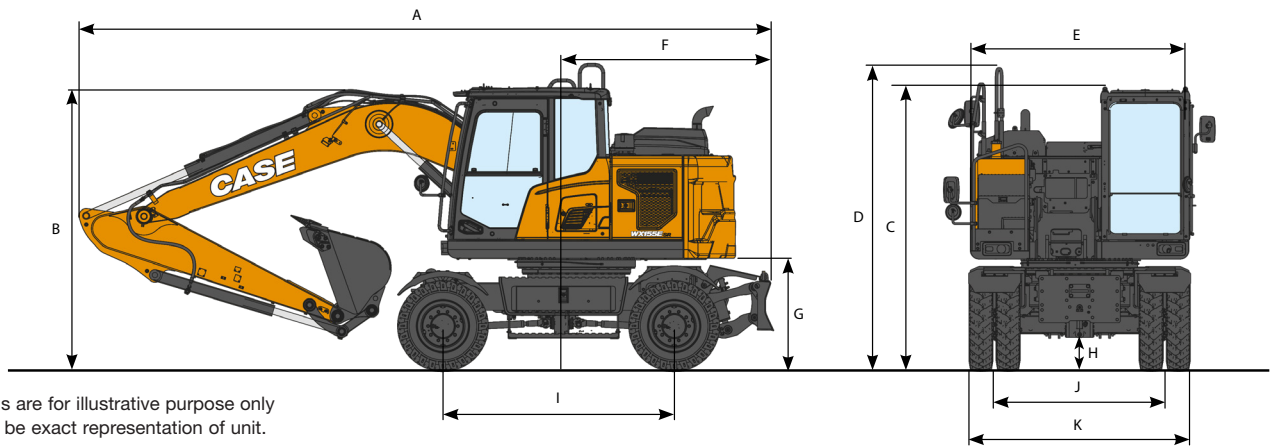
CIRCUIT AND COMPONENT CAPACITIES

Fuel tank 53 gal (200 L)

Hydraulic system 49.4 gal (187 L)

Hydraulic tank 27.2 gal (103 L)

DEF tank 12.7 gal (48 L)



Line drawings are for illustrative purpose only and may not be exact representation of unit.

GENERAL DIMENSIONS - MONOBOOM

	8 ft (2.45 m) Arm	6 ft 7 in (2.00 m) Arm	8 ft 6 in (2.60 m) Arm
A. Overall length (with attachment):			
Traveling	24 ft 10 in (7 210 mm)	25 ft 5 in (7 385 mm)	24 ft 6 in (7 110 mm)
Transportation	24 ft 7 in (7 360 mm)	25 ft 2 in (7 310 mm)	24 ft 4 in (7 380 mm)
B. Overall height (to top of boom):			
Traveling	12 ft 0 in (3 790 mm)	10 ft 9 in (3 270 mm)	12 ft 5 in (3 930 mm)
Transportation	9 ft 7 in (2 990 mm)	8 ft 11 in (2 820 mm)	10 ft 0 in (3 110 mm)
C. Cab height	10 ft 7 in (3 230 mm)	10 ft 7 in (3 230 mm)	10 ft 7 in (3 230 mm)
D. Overall height (to top of handrail)	11 ft 4 in (3 450 mm)	11 ft 4 in (3 450 mm)	11 ft 4 in (3 450 mm)
E. Upper structure overall width	8 ft 3 in (2 510 mm)	8 ft 3 in (2 510 mm)	8 ft 3 in (2 510 mm)
F. Swing (rear end) radius	5 ft 11 in (1 800 mm)	5 ft 11 in (1 800 mm)	5 ft 11 in (1 800 mm)
G. Clearance height under upper structure	4 ft 2 in (1 265 mm)	4 ft 2 in (1 265 mm)	4 ft 2 in (1 265 mm)
H. Minimum ground clearance	1 ft 3 in (370 mm)	1 ft 3 in (370 mm)	1 ft 3 in (370 mm)
I. Wheel base (center-to-center of wheels)	8 ft 6 in (2 600 mm)	8 ft 6 in (2 600 mm)	8 ft 6 in (2 600 mm)
J. Wheel gauge	6 ft 5 in (1 944 mm)	6 ft 5 in (1 944 mm)	6 ft 5 in (1 944 mm)
K. Undercarriage overall width	8 ft 4 in (2 530 mm)	8 ft 4 in (2 530 mm)	8 ft 4 in (2 530 mm)

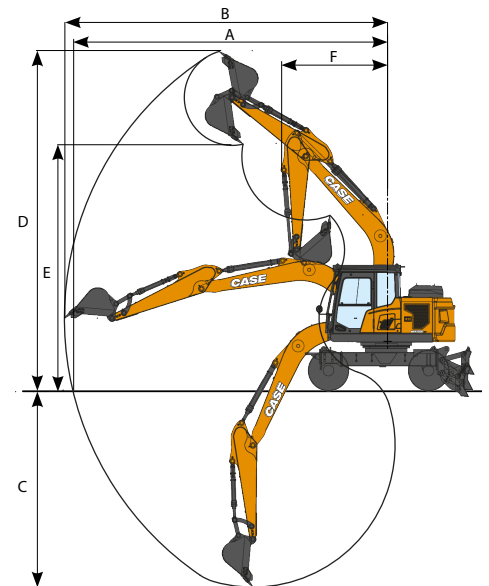
WEIGHT - MONOBOOM

Rear blade	37,192 lb (16 870 kg)
Front blade and rear stabilizers	39,882 lb (18 090 kg)
Standard counterweight	7,165 lb (3 250 kg)

NOTE: With 8 ft (2.45 m) arm, 20.5 ft³ (0.6 m³) bucket, 10.00x20 twin tires, standard counterweight, operator, lubricant, coolant, full fuel tank.

PERFORMANCE - MONOBOOM

	8 ft (2.45 m)	6 ft 7 in (2 m)	8 ft 6 in (2.6 m)
Boom length	15 ft 1 in (4 600 mm)	15 ft 1 in (4 600 mm)	15 ft 1 in (4 600 mm)
A. Maximum reach at groundline	26 ft 9 in (8 150 mm)	25 ft 4 in (7 710 mm)	27 ft 3 in (8 300 mm)
B. Maximum reach	27 ft 6 in (8 370 mm)	26 ft 1 in (7 940 mm)	27 ft 11 in (8 520 mm)
C. Max. digging depth	16 ft 10 in (5 130 mm)	15 ft 4 in (4 680 mm)	17 ft 4 in (5 280 mm)
D. Max. digging height	29 ft 0 in (8 830 mm)	27 ft 11 in (8 520 mm)	29 ft 3 in (8 920 mm)
E. Max. dumping height	20 ft 11 in (6 380 mm)	19 ft 11 in (6 080 mm)	21 ft 3 in (6 470 mm)
F. Min. swing radius	9 ft 0 in (2 740 mm)	8 ft 8 in (2 650 mm)	9 ft 0 in (2 755 mm)



DIGGING FORCE - MONOBOOM

	8 ft (2.45 m) Arm	6 ft 7 in (2 m) Arm	8 ft 6 in (2.6 m) Arm
Arm digging force	14,837 lbf (66 kN)	17,534 lbf (78 kN)	14,387 lbf (64 kN)
with Auto power up	16,186 lbf (72 kN)	19,108 lbf (85 kN)	15,511 lbf (69 kN)
Bucket digging force	23,154 lbf (103 kN)	23,154 lbf (103 kN)	23,154 lbf (103 kN)
with Auto power up	25,178 lbf (112 kN)	25,178 lbf (112 kN)	25,178 lbf (112 kN)

LIFTING CAPACITIES - MONOBOOM

Load/Lift Point Height	LOAD RADIUS								MAXIMUM REACH			
	4 ft 11 in (1.5 m)		9 ft 10 in (3.0 m)		14 ft 9 in (4.5 m)		19 ft 8 in (6.0 m)		REACH	CAPACITY		
	END	SIDE	END	SIDE	END	SIDE	END	SIDE	@	END	SIDE	
REAR BLADE DOWN - Mono boom 15 ft 1 in (4.6 m), arm 6 ft 7 in (2.00 m), 7,165 lb (3 250 kg) counterweight												
19 ft 8 in (6.0 m)					9,744 lb (4 420 kg)*	9,590 lb (4 350 kg)				16 ft 11 in (5.19 m)	7,363 lb (3 340 kg)*	7,363 lb (3 340 kg)*
14 ft 9 in (4.5 m)					10,604 lb (4 810 kg)*	9,348 lb (4 240 kg)	8,532 lb (3 870 kg)*	5,975 lb (2 710 kg)		19 ft 11 in (6.13 m)	6,878 lb (3 120 kg)*	5,754 lb (2 610 kg)
9 ft 10 in (3.0 m)					12,787 lb (5 800 kg)*	8,863 lb (4 020 kg)	9,237 lb (4 190 kg)	5,820 lb (2 640 kg)		21 ft 5 in (6.59 m)	6,945 lb (3 150 kg)*	5,049 lb (2 290 kg)
4 ft 11 in (1.5 m)					13,845 lb (6 280 kg)	8,378 lb (3 800 kg)	9,017 lb (4 090 kg)	5,622 lb (2 550 kg)		21 ft 9 in (6.68 m)	7,452 lb (3 380 kg)*	4,828 lb (2 190 kg)
0 ft (0 m)			13,272 lb (6 020 kg)*	13,272 lb (6 020 kg)*	13,558 lb (6 150 kg)	8,113 lb (3 680 kg)	8,885 lb (4 030 kg)	5,512 lb (2 500 kg)		20 ft 10 in (6.42 m)	8,091 lb (3 670 kg)	5,049 lb (2 290 kg)
-4 ft 11 in (-1.5 m)	13,911 lb (6 310 kg)*	13,911 lb (6 310 kg)*	21,275 lb (9 650 kg)*	14,881 lb (6 750 kg)	13,558 lb (6 150 kg)	8,113 lb (3 680 kg)				18 ft 7 in (5.74 m)	9,502 lb (4 310 kg)	5,886 lb (2 670 kg)
-9 ft 10 in (-3.0 m)			15,785 lb (7 160 kg)*	15,300 lb (6 940 kg)						14 ft 4 in (4.46 m)	10,163 lb (4 610 kg)*	8,510 lb (3 860 kg)

REAR BLADE UP - Mono boom 15 ft 1 in (4.6 m), arm 6 ft 7 in (2.00 m), 7,165 lb (3 250 kg) counterweight												
19 ft 8 in (6.0 m)					9,744 lb (4 420 kg)*	8,664 lb (3 930 kg)				16 ft 11 in (5.19 m)	7,363 lb (3 340 kg)*	6,834 lb (3 100 kg)
14 ft 9 in (4.5 m)					10,604 lb (4 810 kg)*	8,444 lb (3 830 kg)	8,532 lb (3 870 kg)*	5,379 lb (2 440 kg)		19 ft 11 in (6.13 m)	6,878 lb (3 120 kg)*	5,181 lb (2 350 kg)
9 ft 10 in (3.0 m)					12,787 lb (5 800 kg)*	7,959 lb (3 610 kg)	9,237 lb (4 190 kg)	5,247 lb (2 380 kg)		21 ft 5 in (6.59 m)	6,945 lb (3 150 kg)*	4,519 lb (2 050 kg)
4 ft 11 in (1.5 m)					13,845 lb (6 280 kg)	7,474 lb (3 390 kg)	9,017 lb (4 090 kg)	5,049 lb (2 290 kg)		21 ft 9 in (6.68 m)	7,452 lb (3 380 kg)*	4,343 lb (1 970 kg)
0 ft (0 m)			13,272 lb (6 020 kg)*	12,919 lb (5 860 kg)	13,558 lb (6 150 kg)	7,231 lb (3 280 kg)	8,885 lb (4 030 kg)	4,938 lb (2 240 kg)		20 ft 10 in (6.42 m)	8,091 lb (3 670 kg)	4,519 lb (2 050 kg)
-4 ft 11 in (-1.5 m)	13,911 lb (6 310 kg)*	13,911 lb (6 310 kg)*	21,275 lb (9 650 kg)*	13,051 lb (5 920 kg)	13,558 lb (6 150 kg)	7,231 lb (3 280 kg)				18 ft 7 in (5.74 m)	9,502 lb (4 310 kg)	5,269 lb (2 390 kg)
-9 ft 10 in (-3.0 m)			15,785 lb (7 160 kg)*	13,426 lb (6 090 kg)						14 ft 4 in (4.46 m)	10,163 lb (4 610 kg)*	7,606 lb (3 450 kg)

REAR BLADE DOWN - Mono boom 15 ft 1 in (4.6 m), arm 8 ft (2.45 m), 7,165 lb (3 250 kg) counterweight												
24 ft 7 in (7.5 m)										13 ft 8 in (4.19 m)	6,393 lb (2 900 kg)*	6,393 lb (2 900 kg)*
19 ft 8 in (6.0 m)										18 ft 8 in (5.74 m)	5,291 lb (2 400 kg)*	5,291 lb (2 400 kg)*
14 ft 9 in (4.5 m)					9,568 lb (4 340 kg)*	9,480 lb (4 300 kg)	8,532 lb (3 870 kg)*	6,041 lb (2 740 kg)		21 ft 6 in (6.6 m)	4,960 lb (2 250 kg)*	4,960 lb (2 250 kg)*
9 ft 10 in (3.0 m)			17,637 lb (8 000 kg)*	16,535 lb (7 500 kg)	11,839 lb (5 370 kg)*	8,951 lb (4 060 kg)	9,259 lb (4 200 kg)	5,842 lb (2 650 kg)		22 ft 10 in (7.03 m)	4,982 lb (2 260 kg)*	4,542 lb (2 060 kg)
4 ft 11 in (1.5 m)			11,244 lb (5 100 kg)*	11,244 lb (5 100 kg)*	13,889 lb (6 300 kg)	8,400 lb (3 810 kg)	8,995 lb (4 080 kg)	5,600 lb (2 540 kg)		23 ft 2 in (7.12 m)	5,313 lb (2 410 kg)*	4,365 lb (1 980 kg)
0 ft (0 m)			13,933 lb (6 320 kg)*	13,933 lb (6 320 kg)*	13,514 lb (6 130 kg)	8,069 lb (3 660 kg)	8,818 lb (4 000 kg)	5,445 lb (2 470 kg)		22 ft 3 in (6.87 m)	6,019 lb (2 730 kg)*	4,519 lb (2 050 kg)
-4 ft 11 in (-1.5 m)	12,015 lb (5 450 kg)*	12,015 lb (5 450 kg)*	22,487 lb (10 200 kg)*	14,661 lb (6 650 kg)	13,426 lb (6 090 kg)	7,981 lb (3 620 kg)	8,796 lb (3 990 kg)	5,423 lb (2 460 kg)		20 ft 3 in (6.24 m)	7,540 lb (3 420 kg)*	5,159 lb (2 340 kg)
-9 ft 10 in (-3.0 m)			18,034 lb (8 180 kg)*	14,991 lb (6 800 kg)	12,125 lb (5 500 kg)*	8,157 lb (3 700 kg)				16 ft 5 in (5.1 m)	9,833 lb (4 460 kg)*	6,923 lb (3 140 kg)

REAR BLADE UP - Mono boom 15 ft 1 in (4.6 m), arm 8 ft (2.45 m), 7,165 lb (3 250 kg) counterweight												
24 ft 7 in (7.5 m)										13 ft 8 in (4.19 m)	6,393 lb (2 900 kg)*	6,393 lb (2 900 kg)*
19 ft 8 in (6.0 m)										18 ft 8 in (5.74 m)	5,291 lb (2 400 kg)*	5,291 lb (2 400 kg)*
14 ft 9 in (4.5 m)					9,568 lb (4 340 kg)*	8,554 lb (3 880 kg)	8,532 lb (3 870 kg)*	6,041 lb (2 740 kg)		21 ft 6 in (6.6 m)	4,960 lb (2 250 kg)*	4,630 lb (2 100 kg)
9 ft 10 in (3.0 m)			17,637 lb (8 000 kg)*	14,617 lb (6 630 kg)	11,839 lb (5 370 kg)*	8,025 lb (3 640 kg)	9,259 lb (4 200 kg)	5,247 lb (2 380 kg)		22 ft 10 in (7.03 m)	4,982 lb (2 260 kg)*	4,079 lb (1 850 kg)
4 ft 11 in (1.5 m)			11,244 lb (5 100 kg)*	11,244 lb (5 100 kg)*	13,889 lb (6 300 kg)	7,496 lb (3 400 kg)	8,995 lb (4 080 kg)	5,027 lb (2 280 kg)		23 ft 2 in (7.12 m)	5,313 lb (2 410 kg)*	3,924 lb (1 780 kg)
0 ft (0 m)			13,933 lb (6 320 kg)*	12,787 lb (5 800 kg)	13,514 lb (6 130 kg)	7,187 lb (3 260 kg)	8,818 lb (4 000 kg)	4,850 lb (2 200 kg)		22 ft 3 in (6.87 m)	6,019 lb (2 730 kg)*	4,057 lb (1 840 kg)
-4 ft 11 in (-1.5 m)	12,015 lb (5 450 kg)*	12,015 lb (5 450 kg)*	22,487 lb (10 200 kg)*	12,831 lb (5 820 kg)	13,426 lb (6 090 kg)	7,099 lb (3 220 kg)	8,796 lb (3 990 kg)	4,850 lb (2 200 kg)		20 ft 3 in (6.24 m)	7,540 lb (3 420 kg)*	4,608 lb (2 090 kg)
-9 ft 10 in (-3.0 m)			18,034 lb (8 180 kg)*	13,140 lb (5 960 kg)	12,125 lb (5 500 kg)*	7,275 lb (3 300 kg)				16 ft 5 in (5.1 m)	9,833 lb (4 460 kg)*	6,195 lb (2 810 kg)

FRONT BLADE & REAR STABILIZERS DOWN - Mono boom 15 ft 1 in (4.6 m), arm 8 ft (2.45 m), 7,165 lb (3 250 kg) counterweight												
24 ft 7 in (7.5 m)										13 ft 8 in (4.19 m)	6,393 lb (2 900 kg)*	6,393 lb (2 900 kg)*
19 ft 8 in (6.0 m)										18 ft 8 in (5.74 m)	5,291 lb (2 400 kg)*	5,291 lb (2 400 kg)*
14 ft 9 in (4.5 m)					9,568 lb (4 340 kg)	9,568 lb (4 340 kg)*	8,532 lb (3 870 kg)*	8,532 lb (3 870 kg)*		21 ft 6 in (6.6 m)	4,960 lb (2 250 kg)*	4,960 lb (2 250 kg)*
9 ft 10 in (3.0 m)			17,637 lb (8 000 kg)*	17,637 lb (8 000 kg)*	11,839 lb (5 370 kg)*	11,839 lb (5 370 kg)*	9,744 lb (4 420 kg)*	9,744 lb (4 420 kg)*		22 ft 10 in (7.03 m)	4,982 lb (2 260 kg)*	4,982 lb (2 260 kg)*
4 ft 11 in (1.5 m)			11,244 lb (5 100 kg)*	11,244 lb (5 100 kg)*	14,220 lb (6 450 kg)*	14,220 lb (6 450 kg)*	10,736 lb (4 870 kg)*	9,700 lb (4 400 kg)		23 ft 2 in (7.12 m)	5,313 lb (2 410 kg)*	5,313 lb (2 410 kg)*
0 ft (0 m)			13,933 lb (6 320 kg)*	13,933 lb (6 320 kg)*	15,454 lb (7 010 kg)*	14,617 lb (6 630 kg)	11,288 lb (5 120 kg)*	9,524 lb (4 320 kg)		22 ft 3 in (6.87 m)	6,019 lb (2 730 kg)*	6,019 lb (2 730 kg)*
-4 ft 11 in (-1.5 m)	12,015 lb (5 450 kg)*	12,015 lb (5 450 kg)*	22,487 lb (10 200 kg)*	22,487 lb (10 200 kg)*	15,036 lb (6 820 kg)*	14,528 lb (6 590 kg)	10,626 lb (4 820 kg)*	9,502 lb (4 310 kg)		20 ft 3 in (6.24 m)	7,540 lb (3 420 kg)*	7,540 lb (3 420 kg)*
-9 ft 10 in (-3.0 m)			18,034 lb (8 180 kg)*	18,034 lb (8 180 kg)*	12,125 lb (5 500 kg)*	12,125 lb (5 500 kg)*				16 ft 5 in (5.1 m)	9,833 lb (4 460 kg)*	9,833 lb (4 460 kg)*

NOTE: *The above loads (kg) are compliant to the ISO standards and refer to the excavator equipped without bucket. The indicated loads are no more than 87% of hydraulic system lift capacity or 75% of static tipping load. Values marked with an asterisk (*) are limited by the hydraulic lifting capacity.

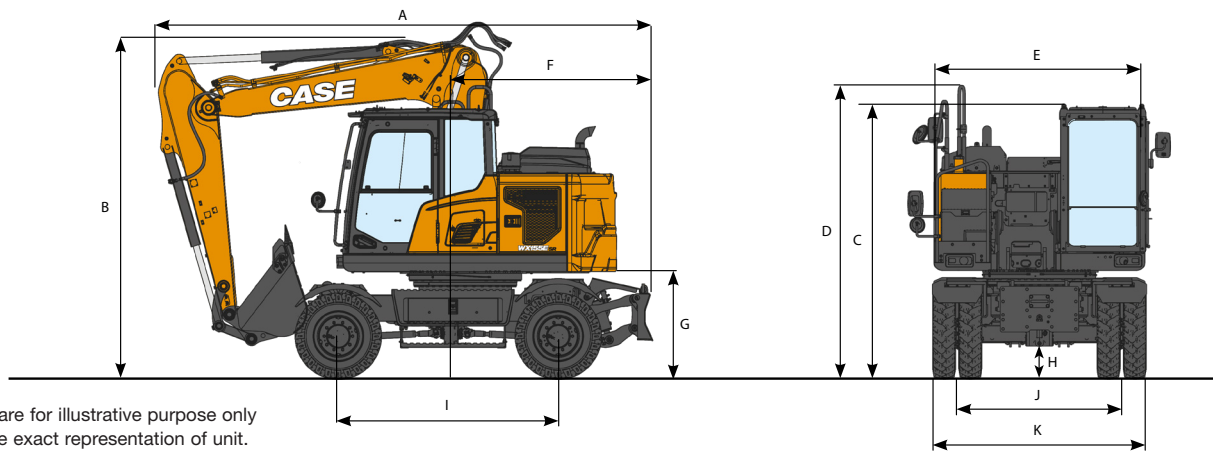
LIFTING CAPACITIES - MONOBOOM

Load/Lift Point Height	LOAD RADIUS								MAXIMUM REACH			
	4 ft 11 in (1.5 m)		9 ft 10 in (3.0 m)		14 ft 9 in (4.5 m)		19 ft 8 in (6.0 m)		REACH	CAPACITY		
	END	SIDE	END	SIDE	END	SIDE	END	SIDE		@	END	SIDE
FRONT BLADE & REAR STABILIZERS UP - Mono boom 15 ft 1 in (4.6 m), arm 8 ft (2.45 m), 7,165 lb (3 250 kg) counterweight												
24 ft 7 in (7.5 m)										13 ft 8 in (4.19 m)	6,393 lb (2 900 kg)*	6,393 lb (2 900 kg)*
19 ft 8 in (6.0 m)										18 ft 8 in (5.74 m)	5,291 lb (2 400 kg)*	5,291 lb (2 400 kg)*
14 ft 9 in (4.5 m)					9,568 lb (4 340 kg)*	9,568 lb (4 340 kg)*	8,532 lb (3 870 kg)*	6,945 lb (3 150 kg)		21 ft 6 in (6.6 m)	4,960 lb (2 250 kg)*	4,960 lb (2 250 kg)*
9 ft 10 in (3.0 m)			17,637 lb (8 000 kg)*	17,637 lb (8 000 kg)*	11,839 lb (5 370 kg)*	10,318 lb (4 680 kg)	9,370 lb (4 250 kg)	6,746 lb (3 060 kg)		22 ft 10 in (7.03 m)	4,982 lb (2 260 kg)*	4,982 lb (2 260 kg)*
4 ft 11 in (1.5 m)			11,244 lb (5 100 kg)*	11,244 lb (5 100 kg)*	14,065 lb (6 380 kg)	9,744 lb (4 420 kg)	9,105 lb (4 130 kg)	6,504 lb (2 950 kg)		23 ft 2 in (7.12 m)	5,313 lb (2 410 kg)*	5,093 lb (2 310 kg)
0 ft (0 m)			13,933 lb (6 320 kg)*	13,933 lb (6 320 kg)*	13,691 lb (6 210 kg)	9,414 lb (4 270 kg)	8,929 lb (4 050 kg)	6,327 lb (2 870 kg)		22 ft 3 in (6.87 m)	6,019 lb (2 730 kg)*	5,291 lb (2 400 kg)
-4 ft 11 in (-1.5 m)	12,015 lb (5 450 kg)*	12,015 lb (5 450 kg)*	22,487 lb (10 200 kg)*	17,328 lb (7 860 kg)*	13,603 lb (6 170 kg)	9,326 lb (4 230 kg)	8,907 lb (4 040 kg)	6,305 lb (2 860 kg)		20 ft 3 in (6.24 m)	7,540 lb (3 420 kg)*	6,019 lb (2 730 kg)
-9 ft 10 in (-3.0 m)			18,034 lb (8 180 kg)*	17,659 lb (8 010 kg)*	12,125 lb (5 500 kg)*	9,524 lb (4 320 kg)				16 ft 5 in (5.1 m)	9,833 lb (4 460 kg)*	8,069 lb (3 660 kg)

REAR BLADE DOWN - Mono boom 15 ft 1 in (4.6 m), arm 8 ft 6 in (2.60 m), 7,165 lb (3 250 kg) counterweight												
24 ft 7 in (7.5 m)										14 ft 5 in (4.43 m)	5,886 lb (2 670 kg)*	5,886 lb (2 670 kg)*
19 ft 8 in (6.0 m)										19 ft 3 in (5.92 m)	4,916 lb (2 230 kg)*	4,916 lb (2 230 kg)*
14 ft 9 in (4.5 m)					9,237 lb (4 190 kg)*	9,237 lb (4 190 kg)*	8,311 lb (3 770 kg)*	6,063 lb (2 750 kg)		22 ft 0 in (6.76 m)	4,630 lb (2 100 kg)*	4,630 lb (2 100 kg)*
9 ft 10 in (3.0 m)			16,843 lb (7 640 kg)*	16,689 lb (7 570 kg)	11,530 lb (5 230 kg)*	8,995 lb (4 080 kg)	9,281 lb (4 210 kg)	5,864 lb (2 660 kg)		23 ft 4 in (7.18 m)	4,674 lb (2 120 kg)*	4,409 lb (2 000 kg)
4 ft 11 in (1.5 m)			12,809 lb (5 810 kg)*	12,809 lb (5 810 kg)*	13,911 lb (6 310 kg)	8,422 lb (3 820 kg)	8,995 lb (4 080 kg)	5,600 lb (2 540 kg)		23 ft 7 in (7.26 m)	4,960 lb (2 250 kg)*	4,233 lb (1 920 kg)
0 ft (0 m)			14,088 lb (6 390 kg)*	14,088 lb (6 390 kg)*	13,514 lb (6 130 kg)	8,047 lb (3 650 kg)	8,796 lb (3 990 kg)	5,423 lb (2 460 kg)		22 ft 9 in (7.01 m)	5,600 lb (2 540 kg)*	4,387 lb (1 990 kg)
-4 ft 11 in (-1.5 m)	11,508 lb (5 220 kg)*	11,508 lb (5 220 kg)*	22,156 lb (10 050 kg)*	14,573 lb (6 610 kg)	13,382 lb (6 070 kg)	7,959 lb (3 610 kg)	8,752 lb (3 970 kg)	5,379 lb (2 440 kg)		20 ft 9 in (6.4 m)	6,900 lb (3 130 kg)*	4,960 lb (2 250 kg)
-9 ft 10 in (-3.0 m)	20,459 lb (9 280 kg)*	20,459 lb (9 280 kg)*	18,673 lb (8 470 kg)*	14,881 lb (6 750 kg)	12,566 lb (5 700 kg)*	8,091 lb (3 670 kg)				17 ft 1 in (5.3 m)	9,700 lb (4 400 kg)*	6,526 lb (2 960 kg)

REAR BLADE UP - Mono boom 15 ft 1 in (4.6 m), arm 8 ft 6 in (2.60 m), 7,165 lb (3 250 kg) counterweight												
24 ft 7 in (7.5 m)										14 ft 5 in (4.43 m)	5,886 lb (2 670 kg)*	5,886 lb (2 670 kg)*
19 ft 8 in (6.0 m)										19 ft 3 in (5.92 m)	4,916 lb (2 230 kg)*	4,916 lb (2 230 kg)*
14 ft 9 in (4.5 m)					9,237 lb (4 190 kg)*	8,598 lb (3 900 kg)	8,311 lb (3 770 kg)*	5,467 lb (2 480 kg)		22 ft 0 in (6.76 m)	4,630 lb (2 100 kg)*	4,475 lb (2 030 kg)
9 ft 10 in (3.0 m)			16,843 lb (7 640 kg)*	14,749 lb (6 690 kg)	11,530 lb (5 230 kg)*	8,069 lb (3 660 kg)	9,281 lb (4 210 kg)	5,269 lb (2 390 kg)		23 ft 4 in (7.18 m)	4,674 lb (2 120 kg)*	3,968 lb (1 800 kg)
4 ft 11 in (1.5 m)			12,809 lb (5 810 kg)*	12,809 lb (5 810 kg)*	13,911 lb (6 310 kg)	7,518 lb (3 410 kg)	8,995 lb (4 080 kg)	5,027 lb (2 280 kg)		23 ft 7 in (7.26 m)	4,960 lb (2 250 kg)*	3,792 lb (1 720 kg)
0 ft (0 m)			14,088 lb (6 390 kg)*	12,743 lb (5 780 kg)	13,514 lb (6 130 kg)	7,165 lb (3 250 kg)	8,796 lb (3 990 kg)	4,850 lb (2 200 kg)		22 ft 9 in (7.01 m)	5,600 lb (2 540 kg)*	3,924 lb (1 780 kg)
-4 ft 11 in (-1.5 m)	11,508 lb (5 220 kg)*	11,508 lb (5 220 kg)*	22,156 lb (10 050 kg)*	12,743 lb (5 780 kg)	13,382 lb (6 070 kg)	7,055 lb (3 200 kg)	8,752 lb (3 970 kg)	4,806 lb (2 180 kg)		20 ft 9 in (6.4 m)	6,900 lb (3 130 kg)*	4,431 lb (2 010 kg)
-9 ft 10 in (-3.0 m)	20,459 lb (9 280 kg)*	20,459 lb (9 280 kg)*	18,673 lb (8 470 kg)*	13,029 lb (5 910 kg)	12,566 lb (5 700 kg)*	7,209 lb (3 270 kg)				17 ft 1 in (5.3 m)	9,700 lb (4 400 kg)*	5,842 lb (2 650 kg)

NOTE: *The above loads (kg) are compliant to the ISO standards and refer to the excavator equipped without bucket. The indicated loads are no more than 87% of hydraulic system lift capacity or 75% of static tipping load. Values marked with an asterisk (*) are limited by the hydraulic lifting capacity.



Line drawings are for illustrative purpose only and may not be exact representation of unit.

GENERAL DIMENSIONS - 2-PIECE BOOM

	8 ft (2.45 m) Arm	6 ft 7 in (2.00 m) Arm	8 ft 6 in (2.60 m) Arm
A. Overall length (with attachment):			
Traveling	17 ft 10 in (5 440 mm)	18 ft 0 in (5 480 mm)	17 ft 9 in (5 420 mm)
Transportation	24 ft 6 in (7 480 mm)	24 ft 6 in (7 470 mm)	24 ft 7 in (7 490 mm)
B. Overall height (to top of boom):			
Traveling	13 ft 1 in (4 000 mm)	13 ft 1 in (4 000 mm)	13 ft 1 in (4 000 mm)
Transportation	9 ft 10 in (2 990 mm)	9 ft 8 in (2 940 mm)	10 ft 0 in (3 040 mm)
C. Cab height	10 ft 7 in (3 230 mm)	10 ft 7 in (3 230 mm)	10 ft 7 in (3 230 mm)
D. Overall height (to top of handrail)	11 ft 4 in (3 450 mm)	11 ft 4 in (3 450 mm)	11 ft 4 in (3 450 mm)
E. Upper structure overall width	8 ft 3 in (2 510 mm)	8 ft 3 in (2 510 mm)	8 ft 3 in (2 510 mm)
F. Swing (rear end) radius	5 ft 11 in (1 800 mm)	5 ft 11 in (1 800 mm)	5 ft 11 in (1 800 mm)
G. Clearance height under upper structure	4 ft 2 in (1 265 mm)	4 ft 2 in (1 265 mm)	4 ft 2 in (1 265 mm)
H. Minimum ground clearance	1 ft 3 in (370 mm)	1 ft 3 in (370 mm)	1 ft 3 in (370 mm)
I. Wheel base (center-to-center of wheels)	8 ft 6 in (2 600 mm)	8 ft 6 in (2 600 mm)	8 ft 6 in (2 600 mm)
J. Wheel gauge	6 ft 5 in (1 944 mm)	6 ft 5 in (1 944 mm)	6 ft 5 in (1 944 mm)
K. Undercarriage overall width	8 ft 4 in (2 530 mm)	8 ft 4 in (2 530 mm)	8 ft 4 in (2 530 mm)

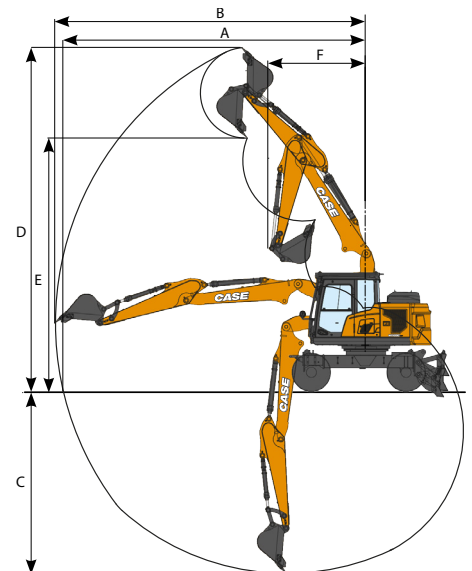
WEIGHT - 2-PIECE BOOM

Rear blade	37,774 lb (17 170 kg)
Front blade and rear stabilizers	40,458 lb (18 390 kg)
Standard counterweight	7,165 lb (3 250 kg)

NOTE: With 8 ft (2.45 m) arm, 20.5 ft³ (0.6 m³) bucket, 10.00x20 twin tires, standard counterweight, operator, lubricant, coolant, full fuel tank.

PERFORMANCE - 2-PIECE BOOM

	8 ft (2.45 m)	6 ft 7 in (2 m)	8 ft 6 in (2.6 m)
Boom length	15 ft 7 in (4 748 mm)	15 ft 7 in (4 748 mm)	15 ft 7 in (4 748 mm)
A. Maximum reach at groundline	27 ft 4 in (8 340 mm)	25 ft 11 in (7 890 mm)	27 ft 10 in (8 490 mm)
B. Maximum reach	28 ft 1 in (8 550 mm)	26 ft 7 in (8 110 mm)	28 ft 7 in (8 700 mm)
C. Max. digging depth	16 ft 6 in (5 020 mm)	15 ft 0 in (4 570 mm)	17 ft 0 in (5 170 mm)
D. Max. digging height	31 ft 0 in (9 460 mm)	29 ft 11 in (9 110 mm)	31 ft 5 in (9 580 mm)
E. Max. dumping height	22 ft 10 in (6 970 mm)	21 ft 9 in (6 630 mm)	23 ft 3 in (7 090 mm)
F. Min. swing radius	8 ft 9 in (2 670 mm)	8 ft 9 in (2 660 mm)	8 ft 11 in (2 710 mm)



DIGGING FORCE - 2-PIECE BOOM

	8 ft (2.45 m) Arm	6 ft 7 in (2 m) Arm	8 ft 6 in (2.6 m) Arm
Arm digging force	14,837 lbf (66 kN)	17,534 lbf (78 kN)	14,387 lbf (64 kN)
with Auto power up	16,186 lbf (72 kN)	19,108 lbf (85 kN)	15,511 lbf (69 kN)
Bucket digging force	23,154 lbf (103 kN)	23,154 lbf (103 kN)	23,154 lbf (103 kN)
with Auto power up	25,178 lbf (112 kN)	25,178 lbf (112 kN)	25,178 lbf (112 kN)

LIFTING CAPACITIES - 2-PIECE BOOM

Load/Lift Point Height	LOAD RADIUS						MAXIMUM REACH		
	4 ft 11 in (1.5 m)		9 ft 10 in (3.0 m)		14 ft 9 in (4.5 m)		REACH @	CAPACITY	
	END	SIDE	END	SIDE	END	SIDE		END	SIDE
REAR BLADE DOWN - 2-piece boom 15 ft 7 in (4.748 m), arm 6 ft 7 in (2.0 m), 7,165 lb (3 250 kg) counterweight									
24 ft 7 in (7.5 m)							12 ft 2 in (3.71 m)	9,789 lb (4 440 kg)*	9,789 lb (4 440 kg)*
19 ft 8 in (6.0 m)			9,281 lb (4 210 kg)*	9,281 lb (4 210 kg)*			17 ft 9 in (5.41 m)	7,672 lb (3 480 kg)*	7,055 lb (3 200 kg)
14 ft 9 in (4.5 m)	12,897 lb (5 850 kg)*	12,897 lb (5 850 kg)*	10,251 lb (4 650 kg)*	9,348 lb (4 240 kg)	9,348 lb (4 240 kg)*	5,975 lb (2 710 kg)	20 ft 9 in (6.32 m)	7,077 lb (3 210 kg)*	5,445 lb (2 470 kg)
9 ft 10 in (3.0 m)			12,434 lb (5 640 kg)*	8,796 lb (3 990 kg)	9,237 lb (4 190 kg)	5,798 lb (2 630 kg)	22 ft 3 in (6.77 m)	7,011 lb (3 180 kg)*	4,806 lb (2 180 kg)
4 ft 11 in (1.5 m)			13,823 lb (6 270 kg)	8,289 lb (3 760 kg)	8,995 lb (4 080 kg)	5,578 lb (2 530 kg)	22 ft 6 in (6.86 m)	7,385 lb (3 350 kg)*	4,608 lb (2 090 kg)
0 ft (0 m)			13,536 lb (6 140 kg)	8,025 lb (3 640 kg)	8,863 lb (4 020 kg)	5,445 lb (2 470 kg)	21 ft 8 in (6.6 m)	7,782 lb (3 530 kg)	4,828 lb (2 190 kg)
-4 ft 11 in (-1.5 m)	21,363 lb (9 690 kg)*	14,793 lb (6 710 kg)	13,536 lb (6 140 kg)	8,025 lb (3 640 kg)			19 ft 6 in (5.94 m)	9,061 lb (4 110 kg)	5,578 lb (2 530 kg)

REAR BLADE UP - 2-piece boom 15 ft 7 in (4.748 m), arm 6 ft 7 in (2.0 m), 7,165 lb (3 250 kg) counterweight									
24 ft 7 in (7.5 m)							12 ft 2 in (3.71 m)	9,789 lb (4 440 kg)*	9,789 lb (4 440 kg)*
19 ft 8 in (6.0 m)			9,281 lb (4 210 kg)*	8,686 lb (3 940 kg)			17 ft 9 in (5.41 m)	7,672 lb (3 480 kg)*	6,349 lb (2 880 kg)
14 ft 9 in (4.5 m)	12,897 lb (5 850 kg)*	12,897 lb (5 850 kg)*	10,251 lb (4 650 kg)*	8,422 lb (3 820 kg)	9,348 lb (4 240 kg)*	5,379 lb (2 440 kg)	20 ft 9 in (6.32 m)	7,077 lb (3 210 kg)*	4,894 lb (2 220 kg)
9 ft 10 in (3.0 m)			12,434 lb (5 640 kg)*	7,870 lb (3 570 kg)	9,237 lb (4 190 kg)	5,203 lb (2 360 kg)	22 ft 3 in (6.77 m)	7,011 lb (3 180 kg)*	4,299 lb (1 950 kg)
4 ft 11 in (1.5 m)			13,823 lb (6 270 kg)	7,385 lb (3 350 kg)	8,995 lb (4 080 kg)	4,982 lb (2 260 kg)	22 ft 6 in (6.86 m)	7,385 lb (3 350 kg)*	4,123 lb (1 870 kg)
0 ft (0 m)			13,536 lb (6 140 kg)	7,143 lb (3 240 kg)	8,863 lb (4 020 kg)	4,872 lb (2 210 kg)	21 ft 8 in (6.6 m)	7,782 lb (3 530 kg)	4,299 lb (1 950 kg)
-4 ft 11 in (-1.5 m)	21,363 lb (9 690 kg)*	12,919 lb (5 860 kg)	13,536 lb (6 140 kg)	7,143 lb (3 240 kg)			19 ft 6 in (5.94 m)	9,061 lb (4 110 kg)	4,982 lb (2 260 kg)

REAR BLADE DOWN - 2-piece boom 15 ft 7 in (4.748 m), arm 8 ft 0 in (2.45 m), 7,165 lb (3 250 kg) counterweight									
24 ft 7 in (7.5 m)							14 ft 9 in (4.49 m)	6,724 lb (3 050 kg)*	6,724 lb (3 050 kg)*
19 ft 8 in (6.0 m)			8,179 lb (3 710 kg)*	8,179 lb (3 710 kg)*			19 ft 7 in (5.97 m)	5,534 lb (2 510 kg)*	5,534 lb (2 510 kg)*
14 ft 9 in (4.5 m)			9,281 lb (4 210 kg)*	9,281 lb (4 210 kg)*	8,554 lb (3 880 kg)*	6,019 lb (2 730 kg)	22 ft 4 in (6.8 m)	5,137 lb (2 330 kg)*	4,872 lb (2 210 kg)
9 ft 10 in (3.0 m)			11,530 lb (5 230 kg)*	8,907 lb (4 040 kg)	9,259 lb (4 200 kg)	5,798 lb (2 630 kg)	23 ft 8 in (7.21 m)	5,093 lb (2 310 kg)*	4,343 lb (1 970 kg)
4 ft 11 in (1.5 m)			13,867 lb (6 290 kg)	8,311 lb (3 770 kg)	8,995 lb (4 080 kg)	5,556 lb (2 520 kg)	23 ft 11 in (7.3 m)	5,313 lb (2 410 kg)*	4,167 lb (1 890 kg)
0 ft (0 m)	10,781 lb (4 890 kg)*	10,781 lb (4 890 kg)*	13,492 lb (6 120 kg)	7,981 lb (3 620 kg)	8,796 lb (3 990 kg)	5,379 lb (2 440 kg)	23 ft 2 in (7.05 m)	5,886 lb (2 670 kg)*	4,321 lb (1 960 kg)
-4 ft 11 in (-1.5 m)	19,687 lb (8 930 kg)*	14,550 lb (6 600 kg)	13,404 lb (6 080 kg)	7,915 lb (3 590 kg)	8,774 lb (3 980 kg)	5,357 lb (2 430 kg)	21 ft 2 in (6.45 m)	7,077 lb (3 210 kg)*	4,916 lb (2 230 kg)

REAR BLADE UP - 2-piece boom 15 ft 7 in (4.748 m), arm 8 ft 0 in (2.45 m), 7,165 lb (3 250 kg) counterweight									
24 ft 7 in (7.5 m)							14 ft 9 in (4.49 m)	6,724 lb (3 050 kg)*	6,724 lb (3 050 kg)*
19 ft 8 in (6.0 m)			8,179 lb (3 710 kg)*	8,179 lb (3 710 kg)*			19 ft 7 in (5.97 m)	5,534 lb (2 510 kg)*	5,467 lb (2 480 kg)
14 ft 9 in (4.5 m)			9,281 lb (4 210 kg)*	8,532 lb (3 870 kg)	8,554 lb (3 880 kg)*	5,423 lb (2 460 kg)	22 ft 4 in (6.8 m)	5,137 lb (2 330 kg)*	4,365 lb (1 980 kg)
9 ft 10 in (3.0 m)			11,530 lb (5 230 kg)*	7,981 lb (3 620 kg)	9,259 lb (4 200 kg)	5,203 lb (2 360 kg)	23 ft 8 in (7.21 m)	5,093 lb (2 310 kg)*	3,880 lb (1 760 kg)
4 ft 11 in (1.5 m)			13,867 lb (6 290 kg)	7,408 lb (3 360 kg)	8,995 lb (4 080 kg)	4,960 lb (2 250 kg)	23 ft 11 in (7.3 m)	5,313 lb (2 410 kg)*	3,726 lb (1 690 kg)
0 ft (0 m)	10,781 lb (4 890 kg)*	10,781 lb (4 890 kg)*	13,492 lb (6 120 kg)	7,077 lb (3 210 kg)	8,796 lb (3 990 kg)	4,806 lb (2 180 kg)	23 ft 2 in (7.05 m)	5,886 lb (2 670 kg)*	3,858 lb (1 750 kg)
-4 ft 11 in (-1.5 m)	19,687 lb (8 930 kg)*	12,699 lb (5 760 kg)	13,404 lb (6 080 kg)	7,011 lb (3 180 kg)	8,774 lb (3 980 kg)	4,762 lb (2 160 kg)	21 ft 2 in (6.45 m)	7,077 lb (3 210 kg)*	4,365 lb (1 980 kg)

FRONT BLADE & REAR STABILIZERS DOWN - 2-piece boom 15 ft 7 in (4.748 m), arm 8 ft 0 in (2.45 m), 7,165 lb (3 250 kg) counterweight									
24 ft 7 in (7.5 m)							14 ft 9 in (4.49 m)	6,724 lb (3 050 kg)*	6,724 lb (3 050 kg)*
19 ft 8 in (6.0 m)			8,179 lb (3 710 kg)*	8,179 lb (3 710 kg)*			19 ft 7 in (5.97 m)	5,534 lb (2 510 kg)*	5,534 lb (2 510 kg)*
14 ft 9 in (4.5 m)			9,281 lb (4 210 kg)*	9,281 lb (4 210 kg)*	8,554 lb (3 880 kg)*	8,554 lb (3 880 kg)*	22 ft 4 in (6.8 m)	5,137 lb (2 330 kg)*	5,137 lb (2 330 kg)*
9 ft 10 in (3.0 m)			11,530 lb (5 230 kg)*	11,530 lb (5 230 kg)*	9,414 lb (4 270 kg)*	9,414 lb (4 270 kg)*	23 ft 8 in (7.21 m)	5,093 lb (2 310 kg)*	5,093 lb (2 310 kg)*
4 ft 11 in (1.5 m)			13,889 lb (6 300 kg)*	13,889 lb (6 300 kg)*	10,450 lb (4 740 kg)*	9,700 lb (4 400 kg)	23 ft 11 in (7.3 m)	5,313 lb (2 410 kg)*	5,313 lb (2 410 kg)*
0 ft (0 m)	10,781 lb (4 890 kg)*	10,781 lb (4 890 kg)*	15,190 lb (6 890 kg)*	14,595 lb (6 620 kg)	11,111 lb (5 040 kg)*	9,502 lb (4 310 kg)	23 ft 2 in (7.05 m)	5,886 lb (2 670 kg)*	5,886 lb (2 670 kg)*
-4 ft 11 in (-1.5 m)	19,687 lb (8 930 kg)*	19,687 lb (8 930 kg)*	14,991 lb (6 800 kg)*	14,506 lb (6 580 kg)	10,736 lb (4 870 kg)*	9,480 lb (4 300 kg)	21 ft 2 in (6.45 m)	7,077 lb (3 210 kg)*	7,077 lb (3 210 kg)*

NOTE: *The above loads (kg) are compliant to the ISO standards and refer to the excavator equipped without bucket. The indicated loads are no more than 87% of hydraulic system lift capacity or 75% of static tipping load. Values marked with an asterisk (*) are limited by the hydraulic lifting capacity.

LIFTING CAPACITIES - 2-PIECE BOOM

Load/Lift Point Height	LOAD RADIUS						MAXIMUM REACH		
	4 ft 11 in (1.5 m)		9 ft 10 in (3.0 m)		14 ft 9 in (4.5 m)		REACH @	CAPACITY	
	END	SIDE	END	SIDE	END	SIDE		END	SIDE
FRONT BLADE & REAR STABILIZERS UP - 2-piece boom 15 ft 7 in (4.748 m), arm 8 ft 0 in (2.45 m), 7,165 lb (3 250 kg) counterweight									
24 ft 7 in (7.5 m)							14 ft 9 in (4.49 m)	6,724 lb (3 050 kg)*	6,724 lb (3 050 kg)*
19 ft 8 in (6.0 m)			8,179 lb (3 710 kg)*	8,179 lb (3 710 kg)*			19 ft 7 in (5.97 m)	5,534 lb (2 510 kg)*	5,534 lb (2 510 kg)*
14 ft 9 in (4.5 m)			9,281 lb (4 210 kg)*	9,281 lb (4 210 kg)*	8,554 lb (3 880 kg)*	6,945 lb (3 150 kg)	22 ft 4 in (6.8 m)	5,137 lb (2 330 kg)*	5,137 lb (2 330 kg)*
9 ft 10 in (3.0 m)			11,530 lb (5 230 kg)*	10,274 lb (4 660 kg)	9,392 lb (4 260 kg)	6,724 lb (3 050 kg)	23 ft 8 in (7.21 m)	5,093 lb (2 310 kg)*	5,049 lb (2 290 kg)
4 ft 11 in (1.5 m)			13,889 lb (6 300 kg)*	9,678 lb (4 390 kg)	9,105 lb (4 130 kg)	6,460 lb (2 930 kg)	23 ft 11 in (7.3 m)	5,313 lb (2 410 kg)*	4,872 lb (2 210 kg)
0 ft (0 m)	10,781 lb (4 890 kg)*	10,781 lb (4 890 kg)*	13,669 lb (6 200 kg)	9,326 lb (4 230 kg)	8,907 lb (4 040 kg)	6,283 lb (2 850 kg)	23 ft 2 in (7.05 m)	5,886 lb (2 670 kg)*	5,049 lb (2 290 kg)
-4 ft 11 in (-1.5 m)	19,687 lb (8 930 kg)*	17,218 lb (7 810 kg)	13,580 lb (6 160 kg)	9,259 lb (4 200 kg)	8,885 lb (4 030 kg)	6,261 lb (2 840 kg)	21 ft 2 in (6.45 m)	7,077 lb (3 210 kg)*	5,732 lb (2 600 kg)

REAR BLADE DOWN - 2-piece boom 15 ft 7 in (4.748 m), arm 8 ft 2 in (2.60 m), 7,165 lb (3 250 kg) counterweight

24 ft 7 in (7.5 m)			7,540 lb (3 420 kg)*	7,540 lb (3 420 kg)*			15 ft 6 in (4.73 m)	6,195 lb (2 810 kg)*	6,195 lb (2 810 kg)*
19 ft 8 in (6.0 m)			7,848 lb (3 560 kg)*	7,848 lb (3 560 kg)*	6,349 lb (2 880 kg)*	6,085 lb (2 760 kg)	20 ft 2 in (6.15 m)	5,137 lb (2 330 kg)*	5,137 lb (2 330 kg)*
14 ft 9 in (4.5 m)			8,951 lb (4 060 kg)*	8,951 lb (4 060 kg)*	8,333 lb (3 780 kg)*	6,063 lb (2 750 kg)	22 ft 10 in (6.95 m)	4,784 lb (2 170 kg)*	4,696 lb (2 130 kg)
9 ft 10 in (3.0 m)	16,733 lb (7 590 kg)*	16,557 lb (7 510 kg)	11,222 lb (5 090 kg)*	8,951 lb (4 060 kg)	9,215 lb (4 180 kg)*	5,820 lb (2 640 kg)	24 ft 2 in (7.36 m)	4,762 lb (2 160 kg)*	4,211 lb (1 910 kg)
4 ft 11 in (1.5 m)			13,669 lb (6 200 kg)*	8,333 lb (3 780 kg)	8,995 lb (4 080 kg)	5,556 lb (2 520 kg)	24 ft 5 in (7.44 m)	4,960 lb (2 250 kg)*	4,057 lb (1 840 kg)
0 ft (0 m)	10,979 lb (4 980 kg)*	10,979 lb (4 980 kg)*	13,470 lb (6 110 kg)	7,959 lb (3 610 kg)	8,796 lb (3 990 kg)	5,357 lb (2 430 kg)	23 ft 7 in (7.2 m)	5,467 lb (2 480 kg)*	4,189 lb (1 900 kg)
-4 ft 11 in (-1.5 m)	18,960 lb (8 600 kg)*	14,462 lb (6 560 kg)	13,360 lb (6 060 kg)	7,870 lb (3 570 kg)	8,730 lb (3 960 kg)	5,335 lb (2 420 kg)	21 ft 8 in (6.61 m)	6,526 lb (2 960 kg)*	4,718 lb (2 140 kg)
-9 ft 10 in (-3.0 m)			12,919 lb (5 860 kg)*	8,025 lb (3 640 kg)			-	-	-

REAR BLADE UP - 2-piece boom 15 ft 7 in (4.748 m), arm 8 ft 2 in (2.60 m), 7,165 lb (3 250 kg) counterweight

24 ft 7 in (7.5 m)			7,540 lb (3 420 kg)*	7,540 lb (3 420 kg)*			15 ft 6 in (4.73 m)	6,195 lb (2 810 kg)*	6,195 lb (2 810 kg)*
19 ft 8 in (6.0 m)			7,848 lb (3 560 kg)*	7,848 lb (3 560 kg)*	6,349 lb (2 880 kg)*	5,490 lb (2 490 kg)	20 ft 2 in (6.15 m)	5,137 lb (2 330 kg)*	5,137 lb (2 330 kg)*
14 ft 9 in (4.5 m)			8,951 lb (4 060 kg)*	8,598 lb (3 900 kg)	8,333 lb (3 780 kg)*	5,445 lb (2 470 kg)	22 ft 10 in (6.95 m)	4,784 lb (2 170 kg)*	4,211 lb (1 910 kg)
9 ft 10 in (3.0 m)	16,733 lb (7 590 kg)*	14,595 lb (6 620 kg)	11,222 lb (5 090 kg)*	8,025 lb (3 640 kg)	9,215 lb (4 180 kg)*	5,225 lb (2 370 kg)	24 ft 2 in (7.36 m)	4,762 lb (2 160 kg)*	3,770 lb (1 710 kg)
4 ft 11 in (1.5 m)			13,669 lb (6 200 kg)*	7,430 lb (3 370 kg)	8,995 lb (4 080 kg)	4,960 lb (2 250 kg)	24 ft 5 in (7.44 m)	4,960 lb (2 250 kg)*	3,616 lb (1 640 kg)
0 ft (0 m)	10,979 lb (4 980 kg)*	10,979 lb (4 980 kg)*	13,470 lb (6 110 kg)	7,055 lb (3 200 kg)	8,796 lb (3 990 kg)	4,784 lb (2 170 kg)	23 ft 7 in (7.2 m)	5,467 lb (2 480 kg)*	3,726 lb (1 690 kg)
-4 ft 11 in (-1.5 m)	18,960 lb (8 600 kg)*	12,610 lb (5 720 kg)	13,360 lb (6 060 kg)	6,967 lb (3 160 kg)	8,730 lb (3 960 kg)	4,740 lb (2 150 kg)	21 ft 8 in (6.61 m)	6,526 lb (2 960 kg)*	4,211 lb (1 910 kg)
-9 ft 10 in (-3.0 m)			12,919 lb (5 860 kg)*	7,121 lb (3 230 kg)			-	-	-

NOTE: *The above loads (kg) are compliant to the ISO standards and refer to the excavator equipped without bucket. The indicated loads are no more than 87% of hydraulic system lift capacity or 75% of static tipping load. Values marked with an asterisk (*) are limited by the hydraulic lifting capacity.

STANDARD EQUIPMENT

ENGINE

Cummins B4.5, water-cooled, 4-cylinder in line, 4.5-liter, high pressure common rail system (electronic control), waste gate turbocharger with air cooled intercooler, DOC+DPF+SCR aftertreatment, EGR free engine

Rated flywheel horsepower:

ISO 9249	170 hp (127 kW) @ 2200 RPM
ISO 14396	173 hp (129 kW) @ 2200 RPM

Maximum torque:

ISO 14396	575 ft-lb (780 Nm) @ 1500 RPM
-----------	-------------------------------

Tier 4 Final / Stage V certified

Ultra-low sulfur diesel and B7 biodiesel fuel certified

ECO gauge fuel efficiency indicator

Detailed historical fuel, work modes and throttle position utilization report

Variable power control on jog dial

Automatic, postponable after-treatment filter cleaning

Programmable electronically-controlled reversible fan

Programmable engine Auto Idle and Auto Shutdown functions

Automatic or manually controlled 9.2 gpm (35 L/min) electric refuel pump

DEF tank overload warning

Air intake cup-type pre-cleaner

Dual dry-type element air filter with warning restriction indicator

Air grid heater starting aid

Replaceable, full flow spin-on fuel and engine oil cartridges

Fuel pre-filter with water drain

Stacked cooling pack configuration

Protective screen for radiators

HYDRAULIC SYSTEM

Load sensing hydraulic system (LUDV) with advanced flow sharing hydraulics

3 - selectable work modes: Heavy Duty, Standard and Economy

1 - selectable user customized work mode - engine speed, idle speed, machine speed and pump flow

High flow multi-function with pressure setting circuit for one-way and two-way flow attachments

In monitor hydraulic settings storage and management for 10 one-way and 10 two-way attachments

3 - attachment work modes - push/detent/proportional

Quick coupler hydraulic circuit

Safety valves on boom with overload warning

Safety valves on arm, dozer blade, front axle oscillation cylinders

Power boost mode activated on joystick

Accumulator on boom cylinders for cushioning ride control system

Boom float control

High pressure hoses

Main pump Variable displacement piston pump

Max. oil flow 68.9 gpm (261 l/min) @ 1800 RPM

Working circuit pressures

Boom/Arm/Bucket	4,975 psi (34.3 MPa) / 5,410 psi (37.3 MPa) with auto power boost
Swing circuit	3,655 psi (25.2 MPa)
Travel circuit	5,685 psi (39.2 MPa)
Pilot circuit	566 psi (3.9 MPa)

SWING

Fixed displacement radial piston swing motor

Automatic, spring applied hydraulic release (SAHR) swing brake system

Fine swing for precise and smooth upper carriage rotation

Swing lock to prevent undesirable upper carriage rotation

Maximum swing speed	9.5 RPM
Swing torque	28,839 ft-lb (39 100 Nm)

ELECTRICAL SYSTEM

Battery disconnect switch

Emergency engine stop switch

Voltage	24 V
Alternator	95 amp
Starter	24 V - 4.8 kW
Batteries	2 X 12 V - 100 Ah

UNDERCARRIAGE

Removable parallel mounting bolt-on designed rear blade and front stabilizers

Trailer hitch mount/provision with electrical connector for lights and hydraulic trailer dump single auxiliary hydraulic line (return by gravity)

Cab access steps

Toolbox with upper carriage access steps

Lashing points (tie downs)

UPPER CARRIAGE

Standard counterweight

Front and right-hand side handrails

Lockable cab door, fuel and DEF tanks, service doors and tool box

Rear work lamp

Head lights and indicator lights

LED working lights package

ATTACHMENTS

2-piece boom

Digging arm	8 ft (2.45 m)
-------------	---------------

Digging arm reinforcements

Reinforced pins, bushings and polymer shims

DRIVELINE

2-speed hydrostatic powershift transmission

Permanent 4-wheel drive and front axle steering

Variable displacement bent-axis axial piston travel motor

Orbitrol steering system

Emergency steering system

Minimum turning radius	20 ft 8 in (6.3 m)
------------------------	--------------------

Automatic or manually controlled front axle oscillation lock

Fixed rear axle

4-sets of twin pneumatic tires

Wet multi-disc work/travel brakes

Wet multi-disc integrated in transmission park brake

Travel alarm

All around composite fenders - steerable on the front axle

High travel speed (Automatic travel speed shifting) 22 mph (35 km/h)

Low travel speed 6.2 mph (10 km/h)

Creep speed 1.9 mph (3 km/h)

Drawbar pull 20,458 lbf (91 kN)

Gradeability 58% (30°)

OPERATOR'S STATION

Enclosed pressurized cab with air conditioning, heat and defrost with full climate control and lockable door

ROPS/FOPS certified

Standard same ignition key and all-around anti-vandalism key

One piece sliding fold-in front window and sliding left-hand side window

Safety glass for all windows, including laminated glass for front window for added protection

Sliding side window (left-hand)

High-back premium heated air-suspension and tilting seat

Sliding fore/after, weight, height, pan angle, depth, lumbar and backrest seat adjustments

Seatbelt and seatbelt warning system

Adjustable armrests and headrest

Gate lock hydraulic activation

Low-effort joystick controls

Joystick equipped proportional control, FNR transmission switch, detent activation and front axle oscillation lock

Selectable steering wheel or right-hand joystick steering

Slim 3-way adjustable steering column design

8 in touchscreen monitor with instruments cluster

Instrument cluster navigation, air conditioning control and engine throttle powered by right-hand console jog dial module

Instrument cluster gauges: engine RPM, engine coolant temperature, hydraulic oil temperature, fuel level, DEF level, ECO, accelerometer dial, hourmeter

CASE MaxView 360-degree 4-camera with intelligent moving object detection technology and warning system for up to 16 ft 4 in (5 m) around the machine

Radar object detection and warning system for up to 32 ft 9 in (10 m) on the rear of the machine

Audio system including radio player, USB MP3 player, aux-in port for personal electronics and Bluetooth capability for hands-free calling

12-volt electric outlet

Adjustable speed cruise control mode

Emergency FNR switch

4-wheel auto-brake mode for attachment operation

Ride control system for smooth traveling and reduced attachment spillage

Clear roof view with sunshade

Rain deflector

Interior dome light

Emergency exit and hammer

2-piece rubber floor mat

Exterior mirrors

Cup holder

Storage compartments

Warm/cool storage compartment

Electric horn

Parallel windshield wiper and windshield washer

Cab filters (internal and external)

Cab suspension mounts to minimize noise and vibration

Operator's manual

NOISE

External sound level	LwA 100 dB(A)
Operator cab sound pressure level	LpA 71 dB(A)

CIRCUIT AND COMPONENT CAPACITIES

Fuel tank	53 gal (200 L)
Hydraulic system	49.4 gal (187 L)
Hydraulic tank	27.2 gal (103 L)
DEF tank	12.7 gal (48 L)

MAINTENANCE

Full Machine Protection Factory Warranty (3-yr/3000-hr), Planned Maintenance (3-yr/2000-hr)

Single-point engine daily checks under engine hood

Self-diagnostics system

Service interval:

- 250-hr greasing on boom and arm pins and bushings
- 800-hr engine oil and filter
- 1,000-hr fuel filter and pre-filter
- 2,000-hr air filters
- 5,000-hr hydraulic oil

OPTIONAL EQUIPMENT

HYDRAULICS

Secondary low 2-way flow electronic proportional controlled auxiliary hydraulics
Fine Swing control
Cold climate hydraulic oil

OPERATOR ENVIRONMENT

Rear view camera only
Smart key with push to start button

FRONT END EQUIPMENT

Digging arm 6 ft 7 in (2 m)
Digging arm 8 ft 6 in (2.6 m)
Monoboam (ride control not available)

UPPER STRUCTURE

FOPS top cab guard
Wire mesh screen front guard
OPG Level 2 front guard

UNDERCARRIAGE

Rear blade
2F/2R stabilizers
F/R blade
Solid tires

CaseCE.com

©2023 CNH Industrial America LLC. All rights reserved. CASE is a trademark registered in the United States and many other countries, owned by or licensed to CNH Industrial N.V., its subsidiaries or affiliates. CNH Industrial Capital is a trademark in the United States and many other countries, owned by or licensed to CNH Industrial N.V., its subsidiaries or affiliates. Printed in U.S.A. Contains 10% post-consumer fiber.

IMPORTANT: CASE Construction Equipment Inc. reserves the right to change these specifications without notice and without incurring any obligation relating to such change. Availability of some models and equipment builds vary according to the country in which the equipment is used. The illustrations and text may include optional equipment and accessories and may not include all standard equipment. Your CASE dealer/distributor will be able to give you details of the products and their specifications available in your area.



CASE Construction Equipment is biodiesel-friendly. NOTE: All engines meet current EPA emissions regulations. All specifications are stated in accordance with SAE Standards or Recommended Practices, where applicable.



Always read the Operator's Manual before operating any equipment. Inspect equipment before using it, and be sure it is operating properly. Follow the product safety signs and use any safety features provided.

Form No. CCE202306WX155ESR

WX155E SR

9 of 9