

ENGINE

Model Cummins B4.5

Type:
Water-cooled, 4-cycle diesel, 4-cylinder in line,
High pressure common rail system
(electric control), turbocharger with air
cooled intercooler, DOC+DPF+SCR,
EGR free.

Emissions Certification Tier 4 Final/Stage V

Cylinders 4

Displacement 274.6 in³ (4.5 L)

Rated flywheel horse power:

ISO 9249 at 2200 RPM 170 hp (127 kW)

ISO 14396 at 2200 RPM 173 hp (129 kW)

Maximum torque:

ISO 14396 at 1500 RPM 575 ft-lb (780 Nm)

HYDRAULIC SYSTEM

Main pump Variable displacement
piston pump

Max. oil flow at 1600 RPM:
61.3 gpm (232 L/min)

Working circuit pressure:

Boom/Arm/Bucket:
4,975 psi (34.3 MPa) - 5,410 psi (37.3 MPa)
with auto power boost

Swing circuit 3,844 psi (26.5 MPa)

Travel circuit 5,410 psi (37.3 MPa)

Pilot circuit 566 psi (3.9 MPa)

SWING

Swing motor:
Fixed displacement radial piston motor

Maximum swing speed 9.5 RPM

Swing torque 23,307 ft-lb (31 600 Nm)

Brake system Automatic, spring applied
hydraulic released

ELECTRICAL SYSTEM

Voltage 24 V

Alternator 95 Amp

Starter 24 V - 4.8 kW

Battery 2 X 12 V 100 Ah

STEERING

Type Orbitrol steering system

Minimum turning radius 20 ft 8 in (6.3 m)

AXLES

Type:
4 wheel drive with differential, oscillating front
axle with automatic or operator controlled
oscillation lock, fixed rear axle.

Brake type Wet multi-disc

Parking brake type Wet multi-disc integrated
in transmission

UNDERCARRIAGE

Transmission 2 speed hydrostatic powershift

Travel motor Variable displacement
bent-axis axial piston motor

High travel speed (Automatic travel speed shifting):
24.8 mph (40 km/h)

Low travel speed 6.2 mph (10 km/h)

Creep speed 1.9 mph (3 km/h)

Drawbar pull 17,985 lbf (80 kN)

Gradeability 70% (35°)

NOISE

External sound level LwA 96 dB(A)

Operator cab sound pressure level:
LpA 71 dB(A)

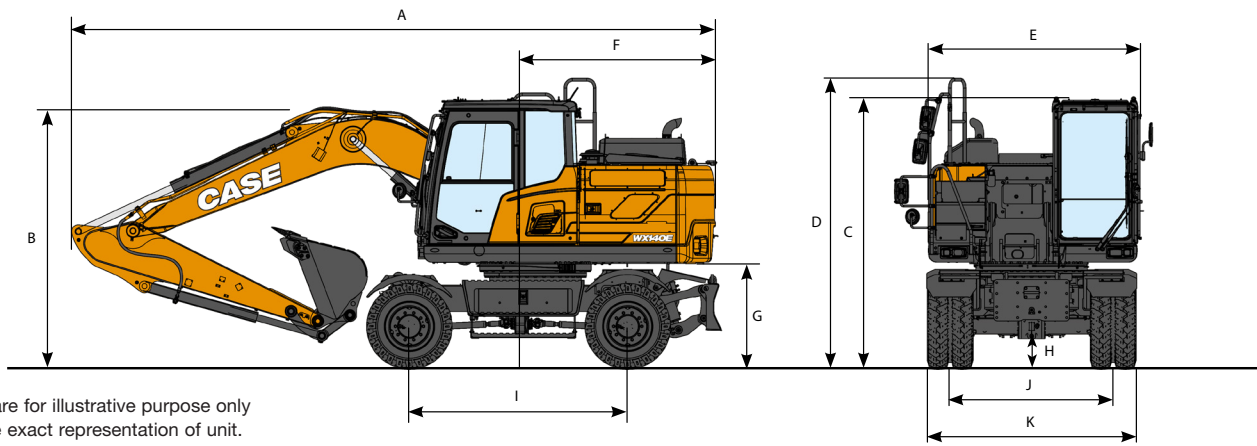
CIRCUIT AND COMPONENT CAPACITIES

Fuel tank 66 gal (250 L)

Hydraulic system 54 gal (204 L)

Hydraulic tank 32 gal (122 L)

DEF tank 12.7 gal (48 L)



Line drawings are for illustrative purpose only and may not be exact representation of unit.

GENERAL DIMENSIONS - MONOBOOM

	8 ft (2.45 m) Arm	6 ft 7 in (2.00 m) Arm	8 ft 6 in (2.60 m) Arm	10 ft 2 in (3.10 m) Arm
A. Overall length (with attachment):				
Traveling	24 ft 10 in (7 560 mm)	25 ft 5 in (7 740 mm)	24 ft 6 in (7 470 mm)	24 ft 2 in (7 365 mm)
Transportation	24 ft 7 in (7 495 mm)	25 ft 2 in (7 675 mm)	24 ft 4 in (7 405 mm)	23 ft 11 in (7 300 mm)
B. Overall height (to top of boom):				
Traveling	12 ft 0 in (3 655 mm)	10 ft 9 in (3 270 mm)	12 ft 5 in (3 775 mm)	13 ft 1 in (3 990 mm)
Transportation	9 ft 7 in (2 930 mm)	8 ft 11 in (2 720 mm)	10 ft 0 in (3 050 mm)	11 ft 3 in (3 420 mm)
C. Cab height	10 ft 8 in (3 255 mm)	10 ft 8 in (3 255 mm)	10 ft 8 in (3 255 mm)	10 ft 8 in (3 255 mm)
D. Overall height (to top of handrail)	11 ft 5 in (3 475 mm)	11 ft 5 in (3 475 mm)	11 ft 5 in (3 475 mm)	11 ft 5 in (3 475 mm)
E. Upper structure overall width	8 ft 2 in (2 485 mm)	8 ft 2 in (2 485 mm)	8 ft 2 in (2 485 mm)	8 ft 2 in (2 485 mm)
F. Swing (rear end) radius	7 ft 1 in (2 170 mm)	7 ft 1 in (2 170 mm)	7 ft 1 in (2 170 mm)	7 ft 1 in (2 170 mm)
G. Clearance height under upper structure	4 ft 2 in (1 260 mm)	4 ft 2 in (1 260 mm)	4 ft 2 in (1 260 mm)	4 ft 2 in (1 260 mm)
H. Minimum ground clearance	1 ft 3 in (390 mm)	1 ft 3 in (390 mm)	1 ft 3 in (390 mm)	1 ft 3 in (390 mm)
I. Wheel base (center-to-center of wheels)	8 ft 6 in (2 600 mm)	8 ft 6 in (2 600 mm)	8 ft 6 in (2 600 mm)	8 ft 6 in (2 600 mm)
J. Wheel gauge	6 ft 5 in (1 944 mm)	6 ft 5 in (1 944 mm)	6 ft 5 in (1 944 mm)	6 ft 5 in (1 944 mm)
K. Undercarriage overall width	8 ft 4 in (2 530 mm)	8 ft 4 in (2 530 mm)	8 ft 4 in (2 530 mm)	8 ft 4 in (2 530 mm)

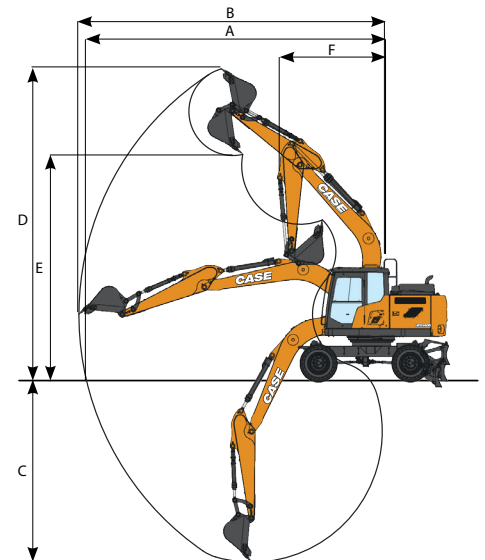
WEIGHT - MONOBOOM

Rear blade	32,849 lb (14 900 kg)
Front blade and rear stabilizers	32,899 lb (15 830 kg)
Standard counterweight	3,748 lb (1 700 kg)
Heavy counterweight	3,748 lb (1 700 kg) + 1,102 lb (500 kg)

NOTE: With 8 ft (2.45 m) arm, 20.5 ft³ (0.6 m³) bucket, 10.00x20 twin tires, standard counterweight, operator, lubricant, coolant, full fuel tank.

PERFORMANCE - MONOBOOM

	8 ft (2.45 m)	6 ft 7 in (2 m)	8 ft 6 in (2.6 m)	10 ft 2 in (3.1 m)
Boom length	15 ft 1 in (4 600 mm)	15 ft 1 in (4 600 mm)	15 ft 1 in (4 600 mm)	15 ft 1 in (4 600 mm)
A. Maximum reach at groundline	26 ft 6 in (8 080 mm)	25 ft 1 in (7 640 mm)	27 ft 0 in (8 230 mm)	28 ft 7 in (8 700 mm)
B. Maximum reach	27 ft 3 in (8 310 mm)	25 ft 10 in (7 880 mm)	27 ft 9 in (8 450 mm)	29 ft 3 in (8 910 mm)
C. Max. digging depth	16 ft 9 in (5 110 mm)	15 ft 3 in (4 660 mm)	17 ft 3 in (5 260 mm)	18 ft 11 in (5 760 mm)
D. Max. digging height	29 ft 0 in (8 850 mm)	28 ft 0 in (8 540 mm)	29 ft 4 in (8 940 mm)	30 ft 3 in (9 210 mm)
E. Max. dumping height	21 ft 0 in (6 400 mm)	20 ft 0 in (6 100 mm)	21 ft 4 in (6 490 mm)	22 ft 2 in (6 760 mm)
F. Min. swing radius	8 ft 10 in (2 680 mm)	8 ft 9 in (2 670 mm)	8 ft 10 in (2 690 mm)	8 ft 11 in (2 720 mm)



DIGGING FORCE - MONOBOOM

	8 ft (2.45 m) Arm	6 ft 7 in (2 m) Arm	8 ft 6 in (2.6 m) Arm	10 ft 2 in (3.1 m) Arm
Arm digging force	14,837 lbf (66 kN)	17,534 lbf (78 kN)	14,387 lbf (64 kN)	12,814 lbf (57 kN)
with Auto power up	16,186 lbf (72 kN)	19,108 lbf (85 kN)	15,511 lbf (69 kN)	13,938 lbf (62 kN)
Bucket digging force	23,154 lbf (103 kN)	23,154 lbf (103 kN)	23,154 lbf (103 kN)	23,154 lbf (103 kN)
with Auto power up	25,178 lbf (112 kN)	25,178 lbf (112 kN)	25,178 lbf (112 kN)	25,178 lbf (112 kN)

LIFTING CAPACITIES - MONOBOOM

Load/Lift Point Height	LOAD RADIUS										MAXIMUM REACH			
	4 ft 11 in (1.5 m)		9 ft 10 in (3.0 m)		14 ft 9 in (4.5 m)		19 ft 8 in (6.0 m)		24 ft 7 in (7.5 m)		REACH	CAPACITY		
	END	SIDE	END	SIDE	END	SIDE	END	SIDE	END	SIDE	@	END	SIDE	
REAR BLADE DOWN - Mono boom 15 ft 1 in (4.6 m), arm 6 ft 7 in (2.00 m), 3,740 lb (1 700 kg) counterweight														
24 ft 7 in (7.5 m)												-	-	-
19 ft 8 in (6.0 m)					9,744 lb (4 420 kg)*	8,091 lb (3 670 kg)						16 ft 11 in (5.15 m)	7,341 lb (3 330 kg)*	6,415 lb (2 910 kg)
14 ft 9 in (4.5 m)					10,560 lb (4 790 kg)*	7,870 lb (3 570 kg)	7,848 lb (3 560 kg)	4,938 lb (2 240 kg)				19 ft 11 in (6.08 m)	6,856 lb (3 110 kg)*	4,828 lb (2 190 kg)
9 ft 10 in (3.0 m)					12,125 lb (5 500 kg)	7,385 lb (3 350 kg)	7,694 lb (3 490 kg)	4,806 lb (2 180 kg)				21 ft 5 in (6.53 m)	6,724 lb (3 050 kg)	4,189 lb (1 900 kg)
4 ft 11 in (1.5 m)					11,574 lb (5 250 kg)	6,923 lb (3 140 kg)	7,496 lb (3 400 kg)	4,608 lb (2 090 kg)				21 ft 9 in (6.62 m)	6,482 lb (2 940 kg)	3,990 lb (1 810 kg)
0 ft (0 m)			14,352 lb (6 510 kg)*	12,170 lb (5 520 kg)	11,288 lb (5 120 kg)	6,658 lb (3 020 kg)	7,363 lb (3 340 kg)	4,497 lb (2 040 kg)				20 ft 10 in (6.34 m)	6,812 lb (3 090 kg)	4,167 lb (1 890 kg)
-4 ft 11 in (-1.5 m)	14,308 lb (6 490 kg)*	14,308 lb (6 490 kg)*	20,856 lb (9 460 kg)*	12,302 lb (5 580 kg)	11,288 lb (5 120 kg)	6,658 lb (3 020 kg)						18 ft 7 in (5.66 m)	8,047 lb (3 650 kg)	4,916 lb (2 230 kg)
-9 ft 10 in (-3.0 m)			15,410 lb (6 990 kg)*	12,699 lb (5 760 kg)								14 ft 4 in (4.37 m)	10,141 lb (4 600 kg)*	7,275 lb (3 300 kg)

REAR BLADE UP - Mono boom 15 ft 1 in (4.6 m), arm 6 ft 7 in (2.00 m), 3,740 lb (1 700 kg) counterweight														
24 ft 7 in (7.5 m)												-	-	-
19 ft 8 in (6.0 m)					9,744 lb (4 420 kg)*	7,341 lb (3 330 kg)						16 ft 11 in (5.15 m)	7,341 lb (3 330 kg)*	5,820 lb (2 640 kg)
14 ft 9 in (4.5 m)					10,560 lb (4 790 kg)*	7,121 lb (3 230 kg)	7,848 lb (3 560 kg)	4,453 lb (2 020 kg)				19 ft 11 in (6.08 m)	6,856 lb (3 110 kg)*	4,343 lb (1 970 kg)
9 ft 10 in (3.0 m)					12,125 lb (5 500 kg)	6,636 lb (3 010 kg)	7,694 lb (3 490 kg)	4,321 lb (1 960 kg)				21 ft 5 in (6.53 m)	6,724 lb (3 050 kg)	3,770 lb (1 710 kg)
4 ft 11 in (1.5 m)					11,574 lb (5 250 kg)	6,195 lb (2 810 kg)	7,496 lb (3 400 kg)	4,145 lb (1 880 kg)				21 ft 9 in (6.62 m)	6,482 lb (2 940 kg)	3,571 lb (1 620 kg)
0 ft (0 m)			14,352 lb (6 510 kg)*	10,670 lb (4 840 kg)	11,288 lb (5 120 kg)	5,952 lb (2 700 kg)	7,363 lb (3 340 kg)	4,012 lb (1 820 kg)				20 ft 10 in (6.34 m)	6,812 lb (3 090 kg)	3,748 lb (1 700 kg)
-4 ft 11 in (-1.5 m)	14,308 lb (6 490 kg)*	14,308 lb (6 490 kg)*	20,856 lb (9 460 kg)*	10,803 lb (4 900 kg)	11,288 lb (5 120 kg)	5,930 lb (2 690 kg)						18 ft 7 in (5.66 m)	8,047 lb (3 650 kg)	4,387 lb (1 990 kg)
-9 ft 10 in (-3.0 m)			15,410 lb (6 990 kg)*	11,199 lb (5 080 kg)								14 ft 4 in (4.37 m)	10,141 lb (4 600 kg)*	6,504 lb (2 950 kg)

REAR BLADE DOWN - Mono boom 15 ft 1 in (4.6 m), arm 8 ft (2.45 m), 3,740 lb (1 700 kg) counterweight														
24 ft 7 in (7.5 m)												13 ft 8 in (4 m)	6,371 lb (2 890 kg)*	6,371 lb (2 890 kg)*
19 ft 8 in (6.0 m)					8,554 lb (3 880 kg)*	8,245 lb (3 740 kg)						18 ft 8 in (6 m)	5,269 lb (2 390 kg)*	5,269 lb (2 390 kg)*
14 ft 9 in (4.5 m)					9,546 lb (4 330 kg)*	7,981 lb (3 620 kg)	7,915 lb (3 590 kg)	5,004 lb (2 270 kg)				21 ft 6 in (7 m)	4,960 lb (2 250 kg)*	4,277 lb (1 940 kg)
9 ft 10 in (3.0 m)			17,306 lb (7 850 kg)*	13,911 lb (6 310 kg)	11,751 lb (5 330 kg)*	7,474 lb (3 390 kg)	7,716 lb (3 500 kg)	4,806 lb (2 180 kg)				22 ft 10 in (7 m)	4,982 lb (2 260 kg)*	3,748 lb (1 700 kg)
4 ft 11 in (1.5 m)			12,544 lb (5 690 kg)*	12,456 lb (5 650 kg)	11,618 lb (5 270 kg)	6,945 lb (3 150 kg)	7,474 lb (3 390 kg)	4,586 lb (2 080 kg)				23 ft 2 in (7 m)	5,313 lb (2 410 kg)*	3,594 lb (1 630 kg)
0 ft (0 m)			14,903 lb (6 760 kg)*	12,037 lb (5 460 kg)	11,244 lb (5 100 kg)	6,614 lb (3 000 kg)	7,297 lb (3 310 kg)	4,431 lb (2 010 kg)				22 ft 3 in (7 m)	6,041 lb (2 740 kg)*	3,726 lb (1 690 kg)
-4 ft 11 in (-1.5 m)	12,346 lb (5 600 kg)*	12,346 lb (5 600 kg)*	22,002 lb (9 980 kg)*	12,081 lb (5 480 kg)	11,155 lb (5 060 kg)	6,526 lb (2 960 kg)	7,275 lb (3 300 kg)	4,409 lb (2 000 kg)				20 ft 3 in (6 m)	7,033 lb (3 190 kg)	4,277 lb (1 940 kg)
-9 ft 10 in (-3.0 m)			17,615 lb (7 990 kg)*	12,390 lb (5 620 kg)	11,376 lb (5 160 kg)	6,724 lb (3 050 kg)						16 ft 5 in (5 m)	9,700 lb (4 400 kg)	5,842 lb (2 650 kg)

REAR BLADE DOWN - Mono boom 15 ft 1 in (4.6 m), arm 8 ft (2.45 m), 3,740 lb (1 700 kg) counterweight														
24 ft 7 in (7.5 m)												13 ft 8 in (4 m)	6,371 lb (2 890 kg)*	6,371 lb (2 890 kg)*
19 ft 8 in (6.0 m)					8,554 lb (3 880 kg)*	7,474 lb (3 390 kg)						18 ft 8 in (6 m)	5,269 lb (2 390 kg)*	4,960 lb (2 250 kg)
14 ft 9 in (4.5 m)					9,546 lb (4 330 kg)*	7,231 lb (3 280 kg)	7,915 lb (3 590 kg)	4,519 lb (2 050 kg)				21 ft 6 in (7 m)	4,960 lb (2 250 kg)*	3,858 lb (1 750 kg)
9 ft 10 in (3.0 m)			17,306 lb (7 850 kg)*	12,346 lb (5 600 kg)	11,751 lb (5 330 kg)*	6,724 lb (3 050 kg)	7,716 lb (3 500 kg)	4,343 lb (1 970 kg)				22 ft 10 in (7 m)	4,982 lb (2 260 kg)*	3,373 lb (1 530 kg)
4 ft 11 in (1.5 m)			12,544 lb (5 690 kg)*	10,957 lb (4 970 kg)	11,618 lb (5 270 kg)	6,195 lb (2 810 kg)	7,474 lb (3 390 kg)	4,101 lb (1 860 kg)				23 ft 2 in (7 m)	5,313 lb (2 410 kg)*	3,219 lb (1 460 kg)
0 ft (0 m)			14,903 lb (6 760 kg)*	10,560 lb (4 790 kg)	11,244 lb (5 100 kg)	5,886 lb (2 670 kg)	7,297 lb (3 310 kg)	3,946 lb (1 790 kg)				22 ft 3 in (7 m)	6,041 lb (2 740 kg)*	3,329 lb (1 510 kg)
-4 ft 11 in (-1.5 m)	12,346 lb (5 600 kg)*	12,346 lb (5 600 kg)*	22,002 lb (9 980 kg)*	10,582 lb (4 800 kg)	11,155 lb (5 060 kg)	5,820 lb (2 640 kg)	7,275 lb (3 300 kg)	3,946 lb (1 790 kg)				20 ft 3 in (6 m)	7,033 lb (3 190 kg)	3,814 lb (1 730 kg)
-9 ft 10 in (-3.0 m)			17,615 lb (7 990 kg)*	10,891 lb (4 940 kg)	11,376 lb (5 160 kg)	5,997 lb (2 720 kg)						16 ft 5 in (5 m)	9,700 lb (4 400 kg)	5,225 lb (2 370 kg)

FRONT BLADE & REAR STABILIZERS DOWN - Mono boom 15 ft 1 in (4.6 m), arm 8 ft (2.45 m), 3,740 lb (1 700 kg) counterweight														
24 ft 7 in (7.5 m)												13 ft 8 in (4 m)	6,371 lb (2 890 kg)*	6,371 lb (2 890 kg)*
19 ft 8 in (6.0 m)					8,576 lb (3 890 kg)*	8,576 lb (3 890 kg)*						18 ft 8 in (6 m)	5,269 lb (2 390 kg)*	5,269 lb (2 390 kg)*
14 ft 9 in (4.5 m)					9,546 lb (4 330 kg)*	9,546 lb (4 330 kg)*	8,378 lb (3 800 kg)*	8,378 lb (3 800 kg)*				21 ft 6 in (7 m)	4,960 lb (2 250 kg)*	4,960 lb (2 250 kg)*
9 ft 10 in (3.0 m)			17,306 lb (7 850 kg)*	17,306 lb (7 850 kg)*	11,751 lb (5 330 kg)*	11,751 lb (5 330 kg)*	9,700 lb (4 400 kg)*	8,311 lb (3 770 kg)				22 ft 10 in (7 m)	5,004 lb (2 270 kg)*	5,004 lb (2 270 kg)*
4 ft 11 in (1.5 m)			12,544 lb (5 690 kg)*	12,544 lb (5 690 kg)*	14,043 lb (6 370 kg)*	12,522 lb (5 680 kg)	10,648 lb (4 830 kg)*	8,069 lb (3 660 kg)				23 ft 2 in (7 m)	5,313 lb (2 410 kg)*	5,313 lb (2 410 kg)*
0 ft (0 m)			14,903 lb (6 760 kg)*	14,903 lb (6 760 kg)*	15,212 lb (6 900 kg)*	12,147 lb (5 510 kg)	11,155 lb (5 060 kg)*	7,893 lb (3 580 kg)				22 ft 3 in (7 m)	6,041 lb (2 740 kg)*	6,041 lb (2 740 kg)*
-4 ft 11 in (-1.5 m)	12,346 lb (5 600 kg)*	12,346 lb (5 600 kg)*	22,002 lb (9 980 kg)*	22,002 lb (9 980 kg)*	14,771 lb (6 700 kg)*	12,059 lb (5 470 kg)	10,406 lb (4 720 kg)*	7,893 lb (3 580 kg)				20 ft 3 in (6 m)	7,562 lb (3 430 kg)*	7,562 lb (3 430 kg)*
-9 ft 10 in (-3.0 m)			17,615 lb (7 990 kg)*	17,615 lb (7 990 kg)*	11,795 lb (5 350 kg)*	11,795 lb (5 350 kg)*						16 ft 5 in (5 m)	9,833 lb (4 460 kg)*	9,833 lb (4 460 kg)*

NOTE: *The above loads (kg) are compliant to the ISO standards and refer to the excavator equipped without bucket. The indicated loads are no more than 87% of hydraulic system lift capacity or 75% of static tipping load. Values marked with an asterisk (*) are limited by the hydraulic lifting capacity.

LIFTING CAPACITIES - MONOBOOM

Load/Lift Point Height	LOAD RADIUS										MAXIMUM REACH			
	4 ft 11 in (1.5 m)		9 ft 10 in (3.0 m)		14 ft 9 in (4.5 m)		19 ft 8 in (6.0 m)		24 ft 7 in (7.5 m)		REACH	CAPACITY		
	END	SIDE	END	SIDE	END	SIDE	END	SIDE	END	SIDE	@	END	SIDE	
FRONT BLADE & REAR STABILIZERS UP - Mono boom 15 ft 1 in (4.6 m), arm 8 ft 2 (2.45 m), 3,740 lb (1 700 kg) counterweight														
24 ft 7 in (7.5 m)												13 ft 8 in (4 m)	6,371 lb (2 890 kg)*	6,371 lb (2 890 kg)*
19 ft 8 in (6.0 m)					8,576 lb (3 890 kg)*	8,576 lb (3 890 kg)*						18 ft 8 in (6 m)	5,269 lb (2 390 kg)*	5,269 lb (2 390 kg)*
14 ft 9 in (4.5 m)					9,546 lb (4 330 kg)*	9,171 lb (4 160 kg)	8,135 lb (3 690 kg)	5,798 lb (2 630 kg)				21 ft 6 in (7 m)	4,960 lb (2 250 kg)*	4,960 lb (2 250 kg)*
9 ft 10 in (3.0 m)			17,306 lb (7 850 kg)*	16,248 lb (7 370 kg)	11,751 lb (5 330 kg)*	8,664 lb (3 930 kg)	7,915 lb (3 590 kg)	5,600 lb (2 540 kg)				22 ft 10 in (7 m)	5,004 lb (2 270 kg)*	4,409 lb (2 000 kg)
4 ft 11 in (1.5 m)			12,544 lb (5 690 kg)*	12,544 lb (5 690 kg)*	11,927 lb (5 410 kg)	8,113 lb (3 680 kg)	7,672 lb (3 480 kg)	5,379 lb (2 440 kg)				23 ft 2 in (7 m)	5,313 lb (2 410 kg)*	4,233 lb (1 920 kg)
0 ft (0 m)			14,903 lb (6 760 kg)*	14,308 lb (6 490 kg)	11,552 lb (5 240 kg)	7,782 lb (3 530 kg)	7,496 lb (3 400 kg)	5,203 lb (2 360 kg)				22 ft 3 in (7 m)	6,041 lb (2 740 kg)*	4,387 lb (1 990 kg)
-4 ft 11 in (-1.5 m)	12,346 lb (5 600 kg)*	12,346 lb (5 600 kg)*	22,002 lb (9 980 kg)*	14,330 lb (6 500 kg)	11,464 lb (5 200 kg)	7,694 lb (3 490 kg)	7,496 lb (3 400 kg)	5,203 lb (2 360 kg)				20 ft 3 in (6 m)	7,231 lb (3 280 kg)	5,021 lb (2 280 kg)
-9 ft 10 in (-3.0 m)			17,615 lb (7 990 kg)*	14,683 lb (6 660 kg)	11,662 lb (5 290 kg)	7,893 lb (3 580 kg)						16 ft 5 in (5 m)	9,833 lb (4 460 kg)*	6,834 lb (3 100 kg)*

REAR BLADE DOWN - Mono boom 15 ft 1 in (4.6 m), arm 8 ft 6 in (2.60 m), 3,740 lb (1 700 kg) counterweight														
24 ft 7 in (7.5 m)												14 ft 5 in (4 m)	5,864 lb (2 660 kg)*	5,864 lb (2 660 kg)*
19 ft 8 in (6.0 m)												19 ft 3 in (6 m)	4,916 lb (2 230 kg)*	4,916 lb (2 230 kg)*
14 ft 9 in (4.5 m)					9,215 lb (4 180 kg)*	8,047 lb (3 650 kg)	7,959 lb (3 610 kg)	5,027 lb (2 280 kg)				22 ft 0 in (7 m)	4,630 lb (2 100 kg)*	4,123 lb (1 870 kg)
9 ft 10 in (3.0 m)			16,557 lb (7 510 kg)*	14,065 lb (6 380 kg)	11,442 lb (5 190 kg)*	7,518 lb (3 410 kg)	7,738 lb (3 510 kg)	4,828 lb (2 190 kg)				23 ft 4 in (7 m)	4,652 lb (2 110 kg)*	3,638 lb (1 650 kg)
4 ft 11 in (1.5 m)			14,176 lb (6 430 kg)*	12,522 lb (5 680 kg)	11,640 lb (5 280 kg)	6,945 lb (3 150 kg)	7,474 lb (3 390 kg)	4,586 lb (2 080 kg)				23 ft 7 in (7 m)	4,960 lb (2 250 kg)*	3,483 lb (1 580 kg)
0 ft (0 m)			15,036 lb (6 820 kg)*	11,993 lb (5 440 kg)	11,222 lb (5 090 kg)	6,592 lb (2 990 kg)	7,275 lb (3 300 kg)	4,409 lb (2 000 kg)				22 ft 9 in (7 m)	5,600 lb (2 540 kg)*	3,594 lb (1 630 kg)
-4 ft 11 in (-1.5 m)	11,817 lb (5 360 kg)*	11,817 lb (5 360 kg)*	22,289 lb (10 110 kg)*	11,993 lb (5 440 kg)	11,111 lb (5 040 kg)	6,504 lb (2 950 kg)	7,253 lb (3 290 kg)	4,387 lb (1 990 kg)				20 ft 9 in (6 m)	6,746 lb (3 060 kg)	4,101 lb (1 860 kg)
-9 ft 10 in (-3.0 m)	20,988 lb (9 520 kg)*	20,988 lb (9 520 kg)*	18,232 lb (8 270 kg)*	12,302 lb (5 580 kg)	11,288 lb (5 120 kg)	6,658 lb (3 020 kg)						17 ft 1 in (5 m)	9,105 lb (4 130 kg)	5,490 lb (2 490 kg)

REAR BLADE UP - Mono boom 15 ft 1 in (4.6 m), arm 8 ft 6 in (2.60 m), 3,740 lb (1 700 kg) counterweight														
24 ft 7 in (7.5 m)												14 ft 5 in (4 m)	5,864 lb (2 660 kg)*	5,864 lb (2 660 kg)*
19 ft 8 in (6.0 m)												19 ft 3 in (6 m)	4,916 lb (2 230 kg)*	4,718 lb (2 140 kg)
14 ft 9 in (4.5 m)					9,215 lb (4 180 kg)*	7,275 lb (3 300 kg)	7,959 lb (3 610 kg)	4,542 lb (2 060 kg)				22 ft 0 in (7 m)	4,630 lb (2 100 kg)*	3,726 lb (1 690 kg)
9 ft 10 in (3.0 m)			16,557 lb (7 510 kg)*	12,500 lb (5 670 kg)	11,442 lb (5 190 kg)*	6,768 lb (3 070 kg)	7,738 lb (3 510 kg)	4,343 lb (1 970 kg)				23 ft 4 in (7 m)	4,652 lb (2 110 kg)*	3,263 lb (1 480 kg)
4 ft 11 in (1.5 m)			14,176 lb (6 430 kg)*	11,023 lb (5 000 kg)	11,640 lb (5 280 kg)	6,217 lb (2 820 kg)	7,474 lb (3 390 kg)	4,123 lb (1 870 kg)				23 ft 7 in (7 m)	4,960 lb (2 250 kg)*	3,109 lb (1 410 kg)
0 ft (0 m)			15,036 lb (6 820 kg)*	10,516 lb (4 770 kg)	11,222 lb (5 090 kg)	5,864 lb (2 660 kg)	7,275 lb (3 300 kg)	3,946 lb (1 790 kg)				22 ft 9 in (7 m)	5,600 lb (2 540 kg)*	3,219 lb (1 460 kg)
-4 ft 11 in (-1.5 m)	11,817 lb (5 360 kg)*	11,817 lb (5 360 kg)*	22,289 lb (10 110 kg)*	10,494 lb (4 760 kg)	11,111 lb (5 040 kg)	5,776 lb (2 620 kg)	7,253 lb (3 290 kg)	3,902 lb (1 770 kg)				20 ft 9 in (6 m)	6,746 lb (3 060 kg)	3,660 lb (1 660 kg)
-9 ft 10 in (-3.0 m)	20,988 lb (9 520 kg)*	20,988 lb (9 520 kg)*	18,232 lb (8 270 kg)*	10,803 lb (4 900 kg)	11,288 lb (5 120 kg)	5,930 lb (2 690 kg)						17 ft 1 in (5 m)	9,105 lb (4 130 kg)	4,894 lb (2 220 kg)

REAR BLADE DOWN - Mono boom 15 ft 1 in (4.6 m), arm 10 ft 2 in (3.10 m), 3,740 lb (1 700 kg) counterweight														
24 ft 7 in (7.5 m)												16 ft 10 in (5.13 m)	4,740 lb (2 150 kg)*	4,740 lb (2 150 kg)*
19 ft 8 in (6.0 m)							5,886 lb (2 670 kg)*	5,159 lb (2 340 kg)				21 ft 1 in (6.43 m)	4,101 lb (1 860 kg)*	4,101 lb (1 860 kg)*
14 ft 9 in (4.5 m)							7,297 lb (3 310 kg)*	5,093 lb (2 310 kg)				23 ft 7 ft (7.2 m)	3,902 lb (1 770 kg)*	3,660 lb (1 660 kg)
9 ft 10 in (3.0 m)			13,999 lb (6 350 kg)*	13,999 lb (6 350 kg)*	10,340 lb (4 690 kg)*	7,650 lb (3 470 kg)	7,782 lb (3 530 kg)	4,872 lb (2 210 kg)	4,608 lb (2 090 kg)*	3,329 lb (1 510 kg)		24 ft 10 in (7.58 m)	3,946 lb (1 790 kg)*	3,263 lb (1 480 kg)
4 ft 11 in (1.5 m)			20,657 lb (9 370 kg)*	12,875 lb (5 840 kg)	11,751 lb (5 330 kg)	7,033 lb (3 190 kg)	7,496 lb (3 400 kg)	4,586 lb (2 080 kg)	5,291 lb (2 400 kg)	3,219 lb (1 460 kg)		25 ft 1 in (7.65 m)	4,189 lb (1 900 kg)*	3,109 lb (1 410 kg)
0 ft (0 m)			15,807 lb (7 170 kg)*	12,037 lb (5 460 kg)	11,244 lb (5 100 kg)	6,592 lb (2 990 kg)	7,253 lb (3 290 kg)	4,365 lb (1 980 kg)				24 ft 4 in (7.42 m)	4,674 lb (2 120 kg)*	3,197 lb (1 450 kg)
-4 ft 11 in (-1.5 m)	10,384 lb (4 710 kg)*	10,384 lb (4 710 kg)*	21,098 lb (9 570 kg)*	11,861 lb (5 380 kg)	11,045 lb (5 010 kg)	6,415 lb (2 910 kg)	7,143 lb (3 240 kg)	4,277 lb (1 940 kg)				22 ft 6 in (6.85 m)	5,666 lb (2 570 kg)*	3,571 lb (1 620 kg)
-9 ft 10 in (-3.0 m)	17,461 lb (7 920 kg)*	17,461 lb (7 920 kg)*	20,040 lb (9 090 kg)*	12,059 lb (5 470 kg)	11,111 lb (5 040 kg)	6,482 lb (2 940 kg)						19 ft 2 in (5.84 m)	7,562 lb (3 430 kg)	4,564 lb (2 070 kg)

REAR BLADE UP - Mono boom 15 ft 1 in (4.6 m), arm 10 ft 2 in (3.10 m), 3,740 lb (1 700 kg) counterweight														
24 ft 7 in (7.5 m)												16 ft 10 in (5.13 m)	4,740 lb (2 150 kg)*	4,740 lb (2 150 kg)*
19 ft 8 in (6.0 m)							5,886 lb (2 670 kg)*	4,674 lb (2 120 kg)				21 ft 1 in (6.43 m)	4,101 lb (1 860 kg)*	4,079 lb (1 850 kg)
14 ft 9 in (4.5 m)							7,297 lb (3 310 kg)*	4,608 lb (2 090 kg)				23 ft 7 ft (7.2 m)	3,902 lb (1 770 kg)*	3,285 lb (1 490 kg)
9 ft 10 in (3.0 m)			13,999 lb (6 350 kg)*	13,007 lb (5 900 kg)	10,340 lb (4 690 kg)*	6,900 lb (3 130 kg)	7,782 lb (3 530 kg)	4,387 lb (1 990 kg)	4,608 lb (2 090 kg)*	2,976 lb (1 350 kg)		24 ft 10 in (7.58 m)	3,946 lb (1 790 kg)*	2,910 lb (1 320 kg)
4 ft 11 in (1.5 m)			20,657 lb (9 370 kg)*	11,354 lb (5 150 kg)	11,751 lb (5 330 kg)	6,305 lb (2 860 kg)	7,496 lb (3 400 kg)	4,123 lb (1 870 kg)	5,291 lb (2 400 kg)	2,888 lb (1 310 kg)		25 ft 1 in (7.65 m)	4,189 lb (1 900 kg)*	2,778 lb (1 260 kg)
0 ft (0 m)			15,807 lb (7 170 kg)*	10,538 lb (4 780 kg)	11,244 lb (5 100 kg)	5,864 lb (2 660 kg)	7,253 lb (3 290 kg)	3,902 lb (1 770 kg)				24 ft 4 in (7.42 m)	4,674 lb (2 120 kg)*	2,844 lb (1 290 kg)
-4 ft 11 in (-1.5 m)	10,384 lb (4 710 kg)*	10,384 lb (4 710 kg)*	21,098 lb (9 570 kg)*	10,384 lb (4 710 kg)	11,045 lb (5 010 kg)	5,688 lb (2 580 kg)	7,143 lb (3 240 kg)	3,814 lb (1 730 kg)				22 ft 6 in (6.85 m)	5,666 lb (2 570 kg)*	3,175 lb (1 440 kg)
-9 ft 10 in (-3.0 m)	17,461 lb (7 920 kg)*	17,461 lb (7 920 kg)*	20,040 lb (9 090 kg)*	10,560 lb (4 790 kg)	11,111 lb (5 040 kg)	5,754 lb (2 610 kg)						19 ft 2 in (5.84 m)	7,562 lb (3 430 kg)	4,057 lb (1 840 kg)

NOTE: *The above loads (kg) are compliant to the ISO standards and refer to the excavator equipped without bucket. The indicated loads are no more than 87% of hydraulic system lift capacity or 75% of static tipping load. Values marked with an asterisk (*) are limited by the hydraulic lifting capacity.

LIFTING CAPACITIES - MONOBOOM

Load/Lift Point Height	LOAD RADIUS										MAXIMUM REACH			
	4 ft 11 in (1.5 m)		9 ft 10 in (3.0 m)		14 ft 9 in (4.5 m)		19 ft 8 in (6.0 m)		24 ft 7 in (7.5 m)		REACH	CAPACITY		
	END	SIDE	END	SIDE	END	SIDE	END	SIDE	END	SIDE	@	END	SIDE	
REAR BLADE DOWN - Mono boom 15 ft 1 in (4.6 m), arm 6 ft 7 in (2.00 m), 4,850 lb (2 200 kg) counterweight														
24 ft 7 in (7.5 m)												-	-	-
19 ft 8 in (6.0 m)					9,744 lb (4 420 kg)*	8,818 lb (4 000 kg)						16 ft 11 in (5.15 m)	7,341 lb (3 330 kg)*	7,011 lb (3 180 kg)
14 ft 9 in (4.5 m)					10,560 lb (4 790 kg)*	8,576 lb (3 890 kg)	7,937 lb (3 600 kg)*	5,423 lb (2 460 kg)				19 ft 11 in (6.08 m)	6,856 lb (3 110 kg)*	5,313 lb (2 410 kg)
9 ft 10 in (3.0 m)					12,655 lb (5 740 kg)*	8,091 lb (3 670 kg)	8,333 lb (3 780 kg)	5,291 lb (2 400 kg)				21 ft 5 in (6.53 m)	6,923 lb (3 140 kg)*	4,630 lb (2 100 kg)
4 ft 11 in (1.5 m)					12,522 lb (5 680 kg)	7,628 lb (3 460 kg)	8,113 lb (3 680 kg)	5,115 lb (2 320 kg)				21 ft 9 in (6.62 m)	7,033 lb (3 190 kg)	4,431 lb (2 010 kg)
0 ft (0 m)			14,352 lb (6 510 kg)*	13,426 lb (6 090 kg)	12,236 lb (5 550 kg)	7,385 lb (3 350 kg)	7,981 lb (3 620 kg)	4,982 lb (2 260 kg)				20 ft 10 in (6.34 m)	7,385 lb (3 350 kg)	4,630 lb (2 100 kg)
-4 ft 11 in (-1.5 m)	14,308 lb (6 490 kg)*	14,308 lb (6 490 kg)*	20,856 lb (9 460 kg)*	13,558 lb (6 150 kg)	12,214 lb (5 540 kg)	7,363 lb (3 340 kg)						18 ft 7 in (5.66 m)	8,730 lb (3 960 kg)	5,445 lb (2 470 kg)
-9 ft 10 in (-3.0 m)			15,410 lb (6 990 kg)*	13,977 lb (6 340 kg)								14 ft 4 in (4.37 m)	10,141 lb (4 600 kg)*	8,003 lb (3 630 kg)

REAR BLADE UP - Mono boom 15 ft 1 in (4.6 m), arm 6 ft 7 in (2.00 m), 4,850 lb (2 200 kg) counterweight														
24 ft 7 in (7.5 m)												-	-	-
19 ft 8 in (6.0 m)					9,744 lb (4 420 kg)*	8,003 lb (3 630 kg)						16 ft 11 in (5.15 m)	7,341 lb (3 330 kg)*	6,383 lb (2 900 kg)
14 ft 9 in (4.5 m)					10,560 lb (4 790 kg)*	7,804 lb (3 540 kg)	7,937 lb (3 600 kg)*	4,938 lb (2 240 kg)				19 ft 11 in (6.08 m)	6,856 lb (3 110 kg)*	4,828 lb (2 190 kg)
9 ft 10 in (3.0 m)					12,655 lb (5 740 kg)*	7,319 lb (3 320 kg)	8,333 lb (3 780 kg)	4,806 lb (2 180 kg)				21 ft 5 in (6.53 m)	6,923 lb (3 140 kg)*	4,189 lb (1 900 kg)
4 ft 11 in (1.5 m)					12,522 lb (5 680 kg)	6,856 lb (3 110 kg)	8,113 lb (3 680 kg)	4,608 lb (2 090 kg)				21 ft 9 in (6.62 m)	7,033 lb (3 190 kg)	4,012 lb (1 820 kg)
0 ft (0 m)			14,352 lb (6 510 kg)*	11,861 lb (5 380 kg)	12,236 lb (5 550 kg)	6,614 lb (3 000 kg)	7,981 lb (3 620 kg)	4,497 lb (2 040 kg)				20 ft 10 in (6.34 m)	7,385 lb (3 350 kg)	4,189 lb (1 900 kg)
-4 ft 11 in (-1.5 m)	14,308 lb (6 490 kg)*	14,308 lb (6 490 kg)*	20,856 lb (9 460 kg)*	11,971 lb (5 430 kg)	12,214 lb (5 540 kg)	6,614 lb (3 000 kg)						18 ft 7 in (5.66 m)	8,730 lb (3 960 kg)	4,894 lb (2 220 kg)
-9 ft 10 in (-3.0 m)			15,410 lb (6 990 kg)*	12,368 lb (5 610 kg)								14 ft 4 in (4.37 m)	10,141 lb (4 600 kg)*	7,209 lb (3 270 kg)

REAR BLADE DOWN - Mono boom 15 ft 1 in (4.6 m), arm 8 ft (2.45 m), 4,850 lb (2 200 kg) counterweight														
24 ft 7 in (7.5 m)												13 ft 8 in (4.16 m)	6,371 lb (2 890 kg)*	6,371 lb (2 890 kg)*
19 ft 8 in (6.0 m)					8,554 lb (3 880 kg)*	8,554 lb (3 880 kg)*						18 ft 8 in (5.7 m)	5,269 lb (2 390 kg)*	5,269 lb (2 390 kg)*
14 ft 9 in (4.5 m)					9,546 lb (4 330 kg)*	8,686 lb (3 940 kg)	8,356 lb (3 790 kg)*	5,490 lb (2 490 kg)				21 ft 6 in (6.55 m)	4,960 lb (2 250 kg)*	4,718 lb (2 140 kg)
9 ft 10 in (3.0 m)			17,306 lb (7 850 kg)*	15,168 lb (6 880 kg)	11,751 lb (5 330 kg)*	8,179 lb (3 710 kg)	8,356 lb (3 790 kg)	5,313 lb (2 410 kg)				22 ft 10 in (6.97 m)	4,982 lb (2 260 kg)*	4,167 lb (1 890 kg)
4 ft 11 in (1.5 m)			12,544 lb (5 690 kg)*	12,544 lb (5 690 kg)*	12,566 lb (5 700 kg)	7,650 lb (3 470 kg)	8,091 lb (3 670 kg)	5,071 lb (2 300 kg)				23 ft 2 in (7.05 m)	5,313 lb (2 410 kg)*	3,990 lb (1 810 kg)
0 ft (0 m)			14,903 lb (6 760 kg)*	13,294 lb (6 030 kg)	12,192 lb (5 530 kg)	7,319 lb (3 320 kg)	7,915 lb (3 590 kg)	4,916 lb (2 230 kg)				22 ft 3 in (6.79 m)	6,041 lb (2 740 kg)*	4,145 lb (1 880 kg)
-4 ft 11 in (-1.5 m)	12,346 lb (5 600 kg)*	12,346 lb (5 600 kg)*	22,002 lb (9 980 kg)*	13,338 lb (6 050 kg)	12,103 lb (5 490 kg)	7,253 lb (3 290 kg)	7,915 lb (3 590 kg)	4,916 lb (2 230 kg)				20 ft 3 in (6.16 m)	7,562 lb (3 430 kg)*	4,740 lb (2 150 kg)
-9 ft 10 in (-3.0 m)			17,615 lb (7 990 kg)*	13,669 lb (6 200 kg)	11,795 lb (5 350 kg)	7,430 lb (3 370 kg)						16 ft 5 in (5.01 m)	9,811 lb (4 450 kg)*	6,460 lb (2 930 kg)

REAR BLADE UP - Mono boom 15 ft 1 in (4.6 m), arm 8 ft (2.45 m), 4,850 lb (2 200 kg) counterweight														
24 ft 7 in (7.5 m)												13 ft 8 in (4.16 m)	6,371 lb (2 890 kg)*	6,371 lb (2 890 kg)*
19 ft 8 in (6.0 m)					8,554 lb (3 880 kg)*	8,157 lb (3 700 kg)						18 ft 8 in (5.7 m)	5,269 lb (2 390 kg)*	5,269 lb (2 390 kg)*
14 ft 9 in (4.5 m)					9,546 lb (4 330 kg)*	7,883 lb (3 580 kg)	8,356 lb (3 790 kg)*	4,982 lb (2 260 kg)				21 ft 6 in (6.55 m)	4,960 lb (2 250 kg)*	4,277 lb (1 940 kg)
9 ft 10 in (3.0 m)			17,306 lb (7 850 kg)*	13,514 lb (6 130 kg)	11,751 lb (5 330 kg)*	7,408 lb (3 360 kg)	8,356 lb (3 790 kg)	4,806 lb (2 180 kg)				22 ft 10 in (6.97 m)	4,982 lb (2 260 kg)*	3,770 lb (1 710 kg)
4 ft 11 in (1.5 m)			12,544 lb (5 690 kg)*	12,147 lb (5 510 kg)	12,566 lb (5 700 kg)	6,878 lb (3 120 kg)	8,091 lb (3 670 kg)	4,586 lb (2 080 kg)				23 ft 2 in (7.05 m)	5,313 lb (2 410 kg)*	3,594 lb (1 630 kg)
0 ft (0 m)			14,903 lb (6 760 kg)*	11,729 lb (5 320 kg)	12,192 lb (5 530 kg)	6,570 lb (2 980 kg)	7,915 lb (3 590 kg)	4,431 lb (2 010 kg)				22 ft 3 in (6.79 m)	6,041 lb (2 740 kg)*	3,728 lb (1 690 kg)
-4 ft 11 in (-1.5 m)	12,346 lb (5 600 kg)*	12,346 lb (5 600 kg)*	22,002 lb (9 980 kg)*	11,751 lb (5 330 kg)	12,103 lb (5 490 kg)	6,482 lb (2 940 kg)	7,915 lb (3 590 kg)	4,409 lb (2 000 kg)				20 ft 3 in (6.16 m)	7,562 lb (3 430 kg)*	4,277 lb (1 940 kg)
-9 ft 10 in (-3.0 m)			17,615 lb (7 990 kg)*	12,081 lb (5 480 kg)	11,795 lb (5 350 kg)	6,658 lb (3 020 kg)						16 ft 5 in (5.01 m)	9,811 lb (4 450 kg)*	5,820 lb (2 640 kg)

REAR BLADE DOWN - Mono boom 15 ft 1 in (4.6 m), arm 8 ft 6 in (2.60 m), 4,850 lb (2 200 kg) counterweight														
24 ft 7 in (7.5 m)												14 ft 5 in (4.4 m)	5,864 lb (2 660 kg)*	5,864 lb (2 660 kg)*
19 ft 8 in (6.0 m)												19 ft 3 in (5.87 m)	4,916 lb (2 230 kg)*	4,916 lb (2 230 kg)*
14 ft 9 in (4.5 m)					9,215 lb (4 180 kg)*	7,959 lb (3 610 kg)	8,201 lb (3 720 kg)*	5,027 lb (2 280 kg)				22 ft 0 in (6.7 m)	4,630 lb (2 100 kg)*	4,123 lb (1 870 kg)
9 ft 10 in (3.0 m)			16,557 lb (7 510 kg)*	13,669 lb (6 200 kg)	11,442 lb (5 190 kg)*	7,452 lb (3 380 kg)	8,378 lb (3 800 kg)	4,828 lb (2 190 kg)				23 ft 4 in (7.12 m)	4,652 lb (2 110 kg)*	3,660 lb (1 660 kg)
4 ft 11 in (1.5 m)			14,176 lb (6 430 kg)*	12,192 lb (5 530 kg)	12,588 lb (5 710 kg)	6,900 lb (3 130 kg)	8,113 lb (3 680 kg)	4,586 lb (2 080 kg)				23 ft 7 in (7.19 m)	4,960 lb (2 250 kg)*	3,483 lb (1 580 kg)
0 ft (0 m)			15,036 lb (6 820 kg)*	11,684 lb (5 300 kg)	12,170 lb (5 520 kg)	6,548 lb (2 970 kg)	7,915 lb (3 590 kg)	4,409 lb (2 000 kg)				22 ft 9 in (6.94 m)	5,600 lb (2 540 kg)*	3,616 lb (1 640 kg)
-4 ft 11 in (-1.5 m)	11,817 lb (5 360 kg)*	11,817 lb (5 360 kg)*	22,289 lb (10 110 kg)*	11,684 lb (5 300 kg)	12,655 lb (5 740 kg)	6,460 lb (2 930 kg)	7,870 lb (3 570 kg)	4,387 lb (1 990 kg)				20 ft 9 in (6.33 m)	6,923 lb (3 140 kg)*	4,101 lb (1 860 kg)
-9 ft 10 in (-3.0 m)			20,988 lb (9 520 kg)*	18,232 lb (8 270 kg)*	11,971 lb (5 430 kg)	12,236 lb (5 550 kg)	6,614 lb (3 000 kg)					17 ft 1 in (5.21 m)	9,700 lb (4 400 kg)*	5,467 lb (2 480 kg)

NOTE: *The above loads (kg) are compliant to the ISO standards and refer to the excavator equipped without bucket. The indicated loads are no more than 87% of hydraulic system lift capacity or 75% of static tipping load. Values marked with an asterisk (*) are limited by the hydraulic lifting capacity.

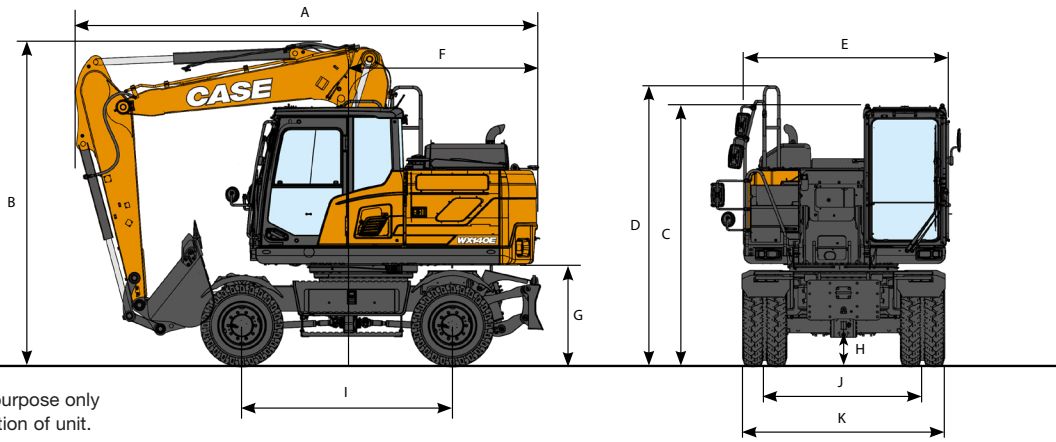
LIFTING CAPACITIES - MONOBOOM

Load/Lift Point Height	LOAD RADIUS										MAXIMUM REACH		
	4 ft 11 in (1.5 m)		9 ft 10 in (3.0 m)		14 ft 9 in (4.5 m)		19 ft 8 in (6.0 m)		24 ft 7 in (7.5 m)		REACH	CAPACITY	
	END	SIDE	END	SIDE	END	SIDE	END	SIDE	END	SIDE	@	END	SIDE
REAR BLADE UP - Mono boom 15 ft 1 in (4.6 m), arm 8 ft 6 in (2.60 m), 4,850 lb (2 200 kg) counterweight													
24 ft 7 in (7.5 m)											14 ft 5 in (4.4 m)	5,864 lb (2 660 kg)*	5,864 lb (2 660 kg)*
19 ft 8 in (6.0 m)											19 ft 3 in (5.87 m)	4,916 lb (2 230 kg)*	4,916 lb (2 230 kg)*
14 ft 9 in (4.5 m)					9,215 lb (4 180 kg)*	8,752 lb (3 970 kg)	8,201 lb (3 720 kg)*	5,534 lb (2 510 kg)			22 ft 0 in (6.7 m)	4,630 lb (2 100 kg)*	4,564 lb (2 070 kg)
9 ft 10 in (3.0 m)			16,557 lb (7 510 kg)*	15,322 lb (6 950 kg)	11,442 lb (5 190 kg)*	8,223 lb (3 730 kg)	8,378 lb (3 800 kg)	5,335 lb (2 420 kg)			23 ft 4 in (7.12 m)	4,652 lb (2 110 kg)*	4,034 lb (1 830 kg)
4 ft 11 in (1.5 m)			14,176 lb (6 430 kg)*	13,779 lb (6 250 kg)	12,588 lb (5 710 kg)	7,672 lb (3 480 kg)	8,113 lb (3 680 kg)	5,093 lb (2 310 kg)			23 ft 7 in (7.19 m)	4,960 lb (2 250 kg)*	3,880 lb (1 760 kg)
0 ft (0 m)			15,036 lb (6 820 kg)*	13,272 lb (6 020 kg)	12,170 lb (5 520 kg)	7,319 lb (3 320 kg)	7,915 lb (3 590 kg)	4,916 lb (2 230 kg)			22 ft 9 in (6.94 m)	5,600 lb (2 540 kg)*	4,012 lb (1 820 kg)
-4 ft 11 in (-1.5 m)	11,817 lb (5 360 kg)*	11,817 lb (5 360 kg)*	22,289 lb (10 110 kg)*	13,250 lb (6 010 kg)	12,655 lb (5 740 kg)	7,209 lb (3 270 kg)	7,870 lb (3 570 kg)	4,872 lb (2 210 kg)			20 ft 9 in (6.33 m)	6,923 lb (3 140 kg)*	4,564 lb (2 070 kg)
-9 ft 10 in (-3.0 m)	20,988 lb (9 520 kg)*	20,988 lb (9 520 kg)*	18,232 lb (8 270 kg)*	13,558 lb (6 150 kg)	12,236 lb (5 550 kg)	7,363 lb (3 340 kg)					17 ft 1 in (5.21 m)	9,700 lb (4 400 kg)*	6,085 lb (2 760 kg)

REAR BLADE DOWN - Mono boom 15 ft 1 in (4.6 m), arm 10 ft 2 in (3.10 m), 4,850 lb (2 200 kg) counterweight													
24 ft 7 in (7.5 m)											16 ft 10 in (5.13 m)	4,740 lb (2 150 kg)*	4,740 lb (2 150 kg)*
19 ft 8 in (6.0 m)							5,886 lb (2 670 kg)*	5,666 lb (2 570 kg)			21 ft 1 in (6.43 m)	4,101 lb (1 860 kg)*	4,101 lb (1 860 kg)*
14 ft 9 in (4.5 m)							7,297 lb (3 310 kg)*	5,578 lb (2 530 kg)			23 ft 7 in (7.2 m)	3,902 lb (1 770 kg)*	3,902 lb (1 770 kg)*
9 ft 10 in (3.0 m)			13,999 lb (6 350 kg)*	13,999 lb (6 350 kg)*	10,340 lb (4 690 kg)*	8,378 lb (3 800 kg)	8,422 lb (3 820 kg)	5,357 lb (2 430 kg)	4,608 lb (2 090 kg)*	3,704 lb (1 680 kg)	24 ft 10 in (7.58 m)	3,946 lb (1 790 kg)*	3,638 lb (1 650 kg)
4 ft 11 in (1.5 m)			20,657 lb (9 370 kg)*	14,132 lb (6 410 kg)	12,699 lb (5 760 kg)	7,760 lb (3 520 kg)	8,113 lb (3 680 kg)	5,093 lb (2 310 kg)	5,534 lb (2 510 kg)*	3,616 lb (1 640 kg)	25 ft 1 in (7.65 m)	4,189 lb (1 900 kg)*	3,483 lb (1 580 kg)
0 ft (0 m)			15,807 lb (7 170 kg)*	13,294 lb (6 030 kg)	12,192 lb (5 530 kg)	7,319 lb (3 320 kg)	7,870 lb (3 570 kg)	4,872 lb (2 210 kg)			24 ft 4 in (7.42 m)	4,674 lb (2 120 kg)*	3,594 lb (1 630 kg)
-4 ft 11 in (-1.5 m)	10,384 lb (4 710 kg)*	10,384 lb (4 710 kg)*	21,098 lb (9 570 kg)*	13,140 lb (5 960 kg)	11,971 lb (5 430 kg)	7,121 lb (3 230 kg)	7,782 lb (3 530 kg)	4,784 lb (2 170 kg)			22 ft 6 in (6.85 m)	5,666 lb (2 570 kg)*	3,990 lb (1 810 kg)
-9 ft 10 in (-3.0 m)	17,461 lb (7 920 kg)*	17,461 lb (7 920 kg)*	20,040 lb (9 090 kg)*	13,316 lb (6 040 kg)	12,037 lb (5 460 kg)	7,187 lb (3 260 kg)					19 ft 2 in (5.84 m)	7,959 lb (3 610 kg)*	5,071 lb (2 300 kg)

REAR BLADE UP - Mono boom 15 ft 1 in (4.6 m), arm 10 ft 2 in (3.10 m), 4,850 lb (2 200 kg) counterweight													
24 ft 7 in (7.5 m)											16 ft 10 in (5.13 m)	4,740 lb (2 150 kg)*	4,740 lb (2 150 kg)*
19 ft 8 in (6.0 m)							5,886 lb (2 670 kg)*	5,129 lb (2 340 kg)			21 ft 1 in (6.43 m)	4,101 lb (1 860 kg)*	4,101 lb (1 860 kg)*
14 ft 9 in (4.5 m)							7,297 lb (3 310 kg)*	5,071 lb (2 300 kg)			23 ft 7 in (7.2 m)	3,902 lb (1 770 kg)*	3,682 lb (1 670 kg)
9 ft 10 in (3.0 m)			13,999 lb (6 350 kg)*	13,999 lb (6 350 kg)*	10,340 lb (4 690 kg)*	7,584 lb (3 440 kg)	8,422 lb (3 820 kg)	4,850 lb (2 200 kg)	4,608 lb (2 090 kg)*	3,351 lb (1 520 kg)	24 ft 10 in (7.58 m)	3,946 lb (1 790 kg)*	3,285 lb (1 490 kg)
4 ft 11 in (1.5 m)			20,657 lb (9 370 kg)*	12,522 lb (5 680 kg)	12,699 lb (5 760 kg)	6,989 lb (3 170 kg)	8,113 lb (3 680 kg)	4,586 lb (2 080 kg)	5,534 lb (2 510 kg)	3,241 lb (1 470 kg)	25 ft 1 in (7.65 m)	4,189 lb (1 900 kg)*	3,131 lb (1 420 kg)
0 ft (0 m)			15,807 lb (7 170 kg)*	11,729 lb (5 320 kg)	12,192 lb (5 530 kg)	6,548 lb (2 970 kg)	7,870 lb (3 570 kg)	4,365 lb (1 980 kg)			24 ft 4 in (7.42 m)	4,674 lb (2 120 kg)*	3,219 lb (1 460 kg)
-4 ft 11 in (-1.5 m)	10,384 lb (4 710 kg)*	10,384 lb (4 710 kg)*	21,098 lb (9 570 kg)*	11,552 lb (5 240 kg)	11,971 lb (5 430 kg)	6,371 lb (2 890 kg)	7,782 lb (3 530 kg)	4,277 lb (1 940 kg)			22 ft 6 in (6.85 m)	5,666 lb (2 570 kg)*	3,594 lb (1 630 kg)
-9 ft 10 in (-3.0 m)	17,461 lb (7 920 kg)*	17,461 lb (7 920 kg)*	20,040 lb (9 090 kg)*	11,729 lb (5 320 kg)	12,037 lb (5 460 kg)	6,437 lb (2 920 kg)					19 ft 2 in (5.84 m)	7,959 lb (3 610 kg)*	4,542 lb (2 060 kg)

NOTE: *The above loads (kg) are compliant to the ISO standards and refer to the excavator equipped without bucket. The indicated loads are no more than 87% of hydraulic system lift capacity or 75% of static tipping load. Values marked with an asterisk (*) are limited by the hydraulic lifting capacity.



Line drawings are for illustrative purpose only and may not be exact representation of unit.

GENERAL DIMENSIONS - 2-PIECE BOOM

	8 ft (2.45 m) Arm	6 ft 7 in (2.00 m) Arm	8 ft 6 in (2.60 m) Arm
A. Overall length (with attachment):			
Traveling	19 ft 1 in (5 815 mm)	19 ft 2 in (5 845 mm)	19 ft 0 in (5 785 mm)
Transportation	25 ft 7 in (7 800 mm)	25 ft 7 in (7 795 mm)	25 ft 7 in (7 810 mm)
B. Overall height (to top of boom):			
Traveling	13 ft 0 in (3 950 mm)	13 ft 0 in (3 950 mm)	13 ft 0 in (3 950 mm)
Transportation	9 ft 1 in (2 770 mm)	8 ft 11 in (2 720 mm)	9 ft 3 in (2 810 mm)
C. Cab height	10 ft 8 in (3 255 mm)	10 ft 8 in (3 255 mm)	10 ft 8 in (3 255 mm)
D. Overall height (to top of handrail)	11 ft 5 in (3 475 mm)	11 ft 5 in (3 475 mm)	11 ft 5 in (3 475 mm)
E. Upper structure overall width	8 ft 2 in (2 485 mm)	8 ft 2 in (2 485 mm)	8 ft 2 in (2 485 mm)
F. Swing (rear end) radius	7 ft 1 in (2 170 mm)	7 ft 1 in (2 170 mm)	7 ft 1 in (2 170 mm)
G. Clearance height under upper structure	4 ft 2 in (1 260 mm)	4 ft 2 in (1 260 mm)	4 ft 2 in (1 260 mm)
H. Minimum ground clearance	1 ft 3 in (390 mm)	1 ft 3 in (390 mm)	1 ft 3 in (390 mm)
I. Wheel base (center-to-center of wheels)	8 ft 6 in (2 600 mm)	8 ft 6 in (2 600 mm)	8 ft 6 in (2 600 mm)
J. Wheel gauge	6 ft 5 in (1 944 mm)	6 ft 5 in (1 944 mm)	6 ft 5 in (1 944 mm)
K. Undercarriage overall width	8 ft 4 in (2 530 mm)	8 ft 4 in (2 530 mm)	8 ft 4 in (2 530 mm)

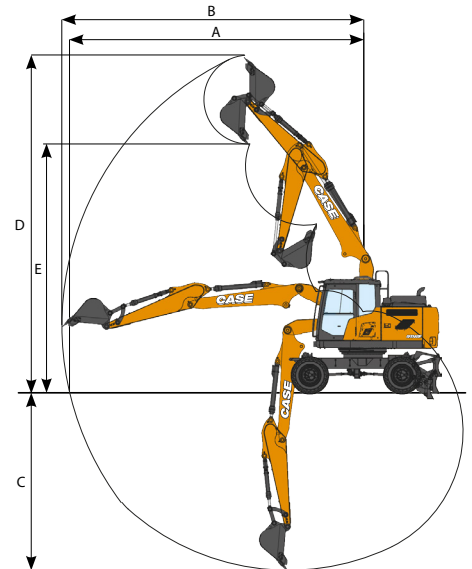
WEIGHT - 2-PIECE BOOM

Rear blade	34,892 lb (15 860 kg)
Front blade and rear stabilizers	36,938 lb (16 790 kg)
Standard counterweight	4,850 lb (2 200 kg)

NOTE: With 8 ft (2.45 m) arm, 20.5 ft³ (0.6 m³) bucket, 10.00×20 twin tires, standard counterweight, operator, lubricant, coolant, full fuel tank.

PERFORMANCE - 2-PIECE BOOM

	8 ft (2.45 m)	6 ft 7 in (2 m)	8 ft 6 in (2.6 m)
Boom length	15 ft 7 in (4 748 mm)	15 ft 7 in (4 748 mm)	15 ft 7 in (4 748 mm)
A. Maximum reach at groundline	27 ft 2 in (8 270 mm)	25 ft 8 in (7 820 mm)	27 ft 7 in (8 420 mm)
B. Maximum reach	27 ft 10 in (8 490 mm)	26 ft 5 in (8 050 mm)	28 ft 4 in (8 630 mm)
C. Max. digging depth	16 ft 5 in (5 000 mm)	14 ft 11 in (4 550 mm)	16 ft 11 in (5 150 mm)
D. Max. digging height	31 ft 1 in (9 480 mm)	29 ft 11 in (9 120 mm)	31 ft 6 in (9 600 mm)
E. Max. dumping height	22 ft 11 in (6 990 mm)	21 ft 9 in (6 640 mm)	23 ft 4 in (7 110 mm)
F. Min. swing radius	8 ft 6 in (2 600 mm)	8 ft 7 in (2 620 mm)	8 ft 8 in (2 650 mm)



DIGGING FORCE - 2-PIECE BOOM

	8 ft (2.45 m) Arm	6 ft 7 in (2 m) Arm	8 ft 6 in (2.6 m) Arm
Arm digging force	14,837 lbf (66 kN)	17,534 lbf (78 kN)	14,387 lbf (64 kN)
with Auto power up	16,186 lbf (72 kN)	19,108 lbf (85 kN)	15,511 lbf (69 kN)
Bucket digging force	23,154 lbf (103 kN)	23,154 lbf (103 kN)	23,154 lbf (103 kN)
with Auto power up	25,178 lbf (112 kN)	25,178 lbf (112 kN)	25,178 lbf (112 kN)

LIFTING CAPACITIES - 2-PIECE BOOM

Load/Lift Point Height	LOAD RADIUS						MAXIMUM REACH		
	4 ft 11 in (1.5 m)		9 ft 10 in (3.0 m)		14 ft 9 in (4.5 m)		REACH @	CAPACITY	
	END	SIDE	END	SIDE	END	SIDE		END	SIDE
REAR BLADE DOWN - 2-piece boom 15 ft 7 in (4.748 m), arm 6 ft 7 in (2.0 m), 4,850 lb (2 200 kg) counterweight									
24 ft 7 in (7.5 m)							12 ft 1 in (3.69 m)	9,722 lb (4 410 kg)*	9,722 lb (4 410 kg)*
19 ft 8 in (6.0 m)			9,281 lb (4 210 kg)*	8,863 lb (4 020 kg)			17 ft 7 in (5.37 m)	7,650 lb (3 470 kg)*	6,548 lb (2 970 kg)
14 ft 9 in (4.5 m)	12,787 lb (5 800 kg)*	12,787 lb (5 800 kg)*	10,207 lb (4 630 kg)*	8,576 lb (3 890 kg)	8,532 lb (3 870 kg)	5,423 lb (2 460 kg)	20 ft 6 in (6.26 m)	7,055 lb (3 200 kg)*	5,027 lb (2 280 kg)
9 ft 10 in (3.0 m)			12,302 lb (5 580 kg)*	8,047 lb (3 650 kg)	8,333 lb (3 780 kg)	5,269 lb (2 390 kg)	22 ft 0 in (6.71 m)	6,989 lb (3 170 kg)	4,409 lb (2 000 kg)
4 ft 11 in (1.5 m)			12,500 lb (5 670 kg)	7,540 lb (3 420 kg)	8,113 lb (3 680 kg)	5,071 lb (2 300 kg)	22 ft 3 in (6.79 m)	6,768 lb (3 070 kg)	4,233 lb (1 920 kg)
0 ft (0 m)	10,648 lb (4 830 kg)*	10,648 lb (4 830 kg)*	12,214 lb (5 540 kg)	7,297 lb (3 310 kg)	7,981 lb (3 620 kg)	4,938 lb (2 240 kg)	21 ft 5 in (6.52 m)	7,099 lb (3 220 kg)	4,431 lb (2 010 kg)
-4 ft 11 in (-1.5 m)	20,944 lb (9 500 kg)*	13,470 lb (6 110 kg)	12,214 lb (5 540 kg)	7,297 lb (3 310 kg)			19 ft 3 in (5.86 m)	8,333 lb (3 780 kg)	5,159 lb (2 340 kg)

REAR BLADE UP - 2-piece boom 15 ft 7 in (4.748 m), arm 6 ft 7 in (2.0 m), 4,850 lb (2 200 kg) counterweight									
24 ft 7 in (7.5 m)							12 ft 1 in (3.69 m)	9,722 lb (4 410 kg)*	9,722 lb (4 410 kg)*
19 ft 8 in (6.0 m)			9,281 lb (4 210 kg)*	8,047 lb (3 650 kg)			17 ft 7 in (5.37 m)	7,650 lb (3 470 kg)*	5,930 lb (2 690 kg)
14 ft 9 in (4.5 m)	12,787 lb (5 800 kg)*	12,787 lb (5 800 kg)*	10,207 lb (4 630 kg)*	7,782 lb (3 530 kg)	8,532 lb (3 870 kg)	4,916 lb (2 230 kg)	20 ft 6 in (6.26 m)	7,055 lb (3 200 kg)*	4,542 lb (2 060 kg)
9 ft 10 in (3.0 m)			12,302 lb (5 580 kg)*	7,253 lb (3 290 kg)	8,333 lb (3 780 kg)	4,762 lb (2 160 kg)	22 ft 0 in (6.71 m)	6,989 lb (3 170 kg)	3,990 lb (1 810 kg)
4 ft 11 in (1.5 m)			12,500 lb (5 670 kg)	6,768 lb (3 070 kg)	8,113 lb (3 680 kg)	4,564 lb (2 070 kg)	22 ft 3 in (6.79 m)	6,768 lb (3 070 kg)	3,814 lb (1 730 kg)
0 ft (0 m)	10,648 lb (4 830 kg)*	10,648 lb (4 830 kg)*	12,214 lb (5 540 kg)	6,526 lb (2 960 kg)	7,981 lb (3 620 kg)	4,431 lb (2 010 kg)	21 ft 5 in (6.52 m)	7,099 lb (3 220 kg)	3,990 lb (1 810 kg)
-4 ft 11 in (-1.5 m)	20,944 lb (9 500 kg)*	11,861 lb (5 380 kg)	12,214 lb (5 540 kg)	6,526 lb (2 960 kg)			19 ft 3 in (5.86 m)	8,333 lb (3 780 kg)	4,674 lb (2 120 kg)

REAR BLADE DOWN - 2-piece boom 15 ft 7 in (4.748 m), arm 8 ft 0 in (2.45 m), 4,850 lb (2 200 kg) counterweight									
24 ft 7 in (7.5 m)							14 ft 8 in (4.46 m)	6,680 lb (3 030 kg)*	6,680 lb (3 030 kg)*
19 ft 8 in (6.0 m)			8,179 lb (3 710 kg)*	8,179 lb (3 710 kg)*			19 ft 5 in (5.92 m)	5,512 lb (2 500 kg)*	5,512 lb (2 500 kg)*
14 ft 9 in (4.5 m)			9,237 lb (4 190 kg)*	8,708 lb (3 950 kg)	8,554 lb (3 880 kg)*	5,490 lb (2 490 kg)	22 ft 1 in (6.74 m)	5,115 lb (2 320 kg)*	4,475 lb (2 030 kg)
9 ft 10 in (3.0 m)			11,442 lb (5 190 kg)*	8,135 lb (3 690 kg)	8,378 lb (3 800 kg)	5,291 lb (2 400 kg)	23 ft 5 in (7.15 m)	5,071 lb (2 300 kg)*	3,968 lb (1 800 kg)
4 ft 11 in (1.5 m)			12,544 lb (5 690 kg)	7,584 lb (3 440 kg)	8,091 lb (3 670 kg)	5,027 lb (2 280 kg)	23 ft 9 in (7.23 m)	5,313 lb (2 410 kg)*	3,814 lb (1 730 kg)
0 ft (0 m)	11,618 lb (5 270 kg)*	11,618 lb (5 270 kg)*	12,170 lb (5 520 kg)	7,253 lb (3 290 kg)	7,915 lb (3 590 kg)	4,872 lb (2 210 kg)	22 ft 11 in (6.98 m)	5,886 lb (2 670 kg)*	3,968 lb (1 800 kg)
-4 ft 11 in (-1.5 m)	20,745 lb (9 410 kg)*	13,228 lb (6 000 kg)	12,081 lb (5 480 kg)	7,165 lb (3 250 kg)	7,893 lb (3 580 kg)	4,850 lb (2 200 kg)	20 ft 11 in (6.37 m)	7,099 lb (3 220 kg)*	4,519 lb (2 050 kg)

REAR BLADE UP - 2-piece boom 15 ft 7 in (4.748 m), arm 8 ft 0 in (2.45 m), 4,850 lb (2 200 kg) counterweight									
24 ft 7 in (7.5 m)							14 ft 8 in (4.46 m)	6,680 lb (3 030 kg)*	6,680 lb (3 030 kg)*
19 ft 8 in (6.0 m)			8,179 lb (3 710 kg)*	8,179 lb (3 710 kg)*			19 ft 5 in (5.92 m)	5,512 lb (2 500 kg)*	5,093 lb (2 310 kg)
14 ft 9 in (4.5 m)			9,237 lb (4 190 kg)*	7,893 lb (3 580 kg)*	8,554 lb (3 880 kg)*	4,982 lb (2 260 kg)	22 ft 1 in (6.74 m)	5,115 lb (2 320 kg)*	4,034 lb (1 830 kg)
9 ft 10 in (3.0 m)			11,442 lb (5 190 kg)*	7,341 lb (3 330 kg)*	8,378 lb (3 800 kg)	4,762 lb (2 160 kg)	23 ft 5 in (7.15 m)	5,071 lb (2 300 kg)*	3,571 lb (1 620 kg)
4 ft 11 in (1.5 m)			12,544 lb (5 690 kg)	6,790 lb (3 080 kg)	8,091 lb (3 670 kg)	4,542 lb (2 060 kg)	23 ft 9 in (7.23 m)	5,313 lb (2 410 kg)*	3,417 lb (1 550 kg)
0 ft (0 m)	11,618 lb (5 270 kg)*	11,574 lb (5 250 kg)	12,170 lb (5 520 kg)	6,482 lb (2 940 kg)	7,915 lb (3 590 kg)	4,365 lb (1 980 kg)	22 ft 11 in (6.98 m)	5,886 lb (2 670 kg)*	3,549 lb (1 610 kg)
-4 ft 11 in (-1.5 m)	20,745 lb (9 410 kg)*	11,640 lb (5 280 kg)	12,081 lb (5 480 kg)	6,393 lb (2 900 kg)	7,893 lb (3 580 kg)	4,343 lb (1 970 kg)	20 ft 11 in (6.37 m)	7,099 lb (3 220 kg)*	4,057 lb (1 840 kg)

FRONT BLADE & REAR STABILIZERS DOWN - 2-piece boom 15 ft 7 in (4.748 m), arm 8 ft 0 in (2.45 m), 4,850 lb (2 200 kg) counterweight									
24 ft 7 in (7.5 m)							14 ft 8 in (4.46 m)	6,702 lb (3 040 kg)*	6,702 lb (3 040 kg)*
19 ft 8 in (6.0 m)			8,201 lb (3 720 kg)*	8,201 lb (3 720 kg)*			19 ft 5 in (5.92 m)	5,512 lb (2 500 kg)*	5,512 lb (2 500 kg)*
14 ft 9 in (4.5 m)			9,259 lb (4 200 kg)*	9,259 lb (4 200 kg)*	8,554 lb (3 880 kg)*	8,554 lb (3 880 kg)*	22 ft 1 in (6.74 m)	5,115 lb (2 320 kg)*	5,115 lb (2 320 kg)*
9 ft 10 in (3.0 m)			11,442 lb (5 190 kg)*	11,442 lb (5 190 kg)*	9,370 lb (4 250 kg)*	8,973 lb (4 070 kg)	23 ft 5 in (7.15 m)	5,093 lb (2 310 kg)*	5,093 lb (2 310 kg)*
4 ft 11 in (1.5 m)			13,713 lb (6 220 kg)*	13,470 lb (6 110 kg)	10,362 lb (4 700 kg)*	8,708 lb (3 950 kg)	23 ft 9 in (7.23 m)	5,313 lb (2 410 kg)*	5,313 lb (2 410 kg)*
0 ft (0 m)	11,618 lb (5 270 kg)*	11,618 lb (5 270 kg)*	14,969 lb (6 790 kg)*	13,073 lb (5 930 kg)	10,979 lb (4 980 kg)*	8,510 lb (3 860 kg)	22 ft 11 in (6.98 m)	5,908 lb (2 680 kg)*	5,908 lb (2 680 kg)*
-4 ft 11 in (-1.5 m)	20,745 lb (9 410 kg)*	20,745 lb (9 410 kg)*	14,749 lb (6 690 kg)*	13,007 lb (5 900 kg)	10,538 lb (4 780 kg)*	8,510 lb (3 860 kg)	20 ft 11 in (6.37 m)	7,121 lb (3 230 kg)*	7,121 lb (3 230 kg)*

NOTE: *The above loads (kg) are compliant to the ISO standards and refer to the excavator equipped without bucket. The indicated loads are no more than 87% of hydraulic system lift capacity or 75% of static tipping load. Values marked with an asterisk (*) are limited by the hydraulic lifting capacity.

LIFTING CAPACITIES - 2-PIECE BOOM

Load/Lift Point Height	LOAD RADIUS						MAXIMUM REACH		
	4 ft 11 in (1.5 m)		9 ft 10 in (3.0 m)		14 ft 9 in (4.5 m)		REACH	CAPACITY	
	END	SIDE	END	SIDE	END	SIDE	@	END	SIDE
FRONT BLADE & REAR STABILIZERS UP - 2-piece boom 15 ft 7 in (4.748 m), arm 8 ft 0 in (2.45 m), 4,850 lb (2 200 kg) counterweight									
24 ft 7 in (7.5 m)							14 ft 8 in (4.46 m)	6,702 lb (3 040 kg)*	6,702 lb (3 040 kg)*
19 ft 8 in (6.0 m)			8,201 lb (3 720 kg)*	8,201 lb (3 720 kg)*			19 ft 5 in (5.92 m)	5,512 lb (2 500 kg)*	5,512 lb (2 500 kg)*
14 ft 9 in (4.5 m)			9,259 lb (4 200 kg)*	9,259 lb (4 200 kg)*	8,554 lb (3 880 kg)*	6,305 lb (2 860 kg)	22 ft 1 in (6.74 m)	5,115 lb (2 320 kg)*	5,115 lb (2 320 kg)*
9 ft 10 in (3.0 m)			11,442 lb (5 190 kg)*	9,370 lb (4 250 kg)	8,576 lb (3 890 kg)	6,085 lb (2 760 kg)	23 ft 5 in (7.15 m)	5,093 lb (2 310 kg)*	4,608 lb (2 090 kg)
4 ft 11 in (1.5 m)			12,853 lb (5 830 kg)	8,796 lb (3 990 kg)	8,311 lb (3 770 kg)	5,842 lb (2 650 kg)	23 ft 9 in (7.23 m)	5,313 lb (2 410 kg)*	4,453 lb (2 020 kg)
0 ft (0 m)	11,618 lb (5 270 kg)*	11,618 lb (5 270 kg)*	12,478 lb (5 660 kg)	8,444 lb (3 830 kg)	8,113 lb (3 680 kg)	5,666 lb (2 570 kg)	22 ft 11 in (6.98 m)	5,908 lb (2 680 kg)*	4,630 lb (2 100 kg)
-4 ft 11 in (-1.5 m)	20,745 lb (9 410 kg)*	15,587 lb (7 070 kg)	12,390 lb (5 620 kg)	8,378 lb (3 800 kg)	8,113 lb (3 680 kg)	5,666 lb (2 570 kg)	20 ft 11 in (6.37 m)	7,121 lb (3 230 kg)*	5,269 lb (2 390 kg)

REAR BLADE DOWN - 2-piece boom 15 ft 7 in (4.748 m), arm 8 ft 2 in (2.60 m), 4,850 lb (2 200 kg) counterweight

24 ft 7 in (7.5 m)			7,363 lb (3 340 kg)*	7,363 lb (3 340 kg)*			15 ft 5 in (4.7 m)	6,151 lb (2 790 kg)*	6,151 lb (2 790 kg)*
19 ft 8 in (6.0 m)			7,848 lb (3 560 kg)*	7,848 lb (3 560 kg)*	6,019 lb (2 730 kg)*	5,556 lb (2 520 kg)	20 ft 0 in (6.1 m)	5,137 lb (2 330 kg)*	5,137 lb (2 330 kg)*
14 ft 9 in (4.5 m)			8,929 lb (4 050 kg)*	8,774 lb (3 980 kg)	8,311 lb (3 770 kg)*	5,534 lb (2 510 kg)	22 ft 8 in (6.9 m)	4,784 lb (2 170 kg)*	4,321 lb (1 960 kg)
9 ft 10 in (3.0 m)	16,424 lb (7 450 kg)*	15,212 lb (6 900 kg)	11,133 lb (5 050 kg)*	8,179 lb (3 710 kg)	8,400 lb (3 810 kg)	5,291 lb (2 400 kg)	23 ft 11 in (7.3 m)	4,740 lb (2 150 kg)*	3,858 lb (1 750 kg)
4 ft 11 in (1.5 m)			12,566 lb (5 700 kg)	7,584 lb (3 440 kg)	8,113 lb (3 680 kg)	5,049 lb (2 290 kg)	24 ft 2 in (7.37 m)	4,960 lb (2 250 kg)*	3,704 lb (1 680 kg)
0 ft (0 m)	11,795 lb (5 350 kg)*	11,795 lb (5 350 kg)*	12,147 lb (5 510 kg)	7,231 lb (3 280 kg)	7,893 lb (3 580 kg)	4,850 lb (2 200 kg)	23 ft 5 in (7.13 m)	5,467 lb (2 480 kg)*	3,836 lb (1 740 kg)
-4 ft 11 in (-1.5 m)	19,952 lb (9 050 kg)*	13,140 lb (5 960 kg)	12,037 lb (5 460 kg)	7,143 lb (3 240 kg)	7,870 lb (3 570 kg)	4,828 lb (2 190 kg)	21 ft 5 in (6.53 m)	6,548 lb (2 970 kg)*	4,343 lb (1 970 kg)
-9 ft 10 in (-3.0 m)			12,236 lb (5 550 kg)	7,297 lb (3 310 kg)			-	-	-

REAR BLADE UP - 2-piece boom 15 ft 7 in (4.748 m), arm 8 ft 2 in (2.60 m), 4,850 lb (2 200 kg) counterweight

24 ft 7 in (7.5 m)			7,363 lb (3 340 kg)*	7,363 lb (3 340 kg)*			15 ft 5 in (4.7 m)	6,151 lb (2 790 kg)*	6,151 lb (2 790 kg)*
19 ft 8 in (6.0 m)			7,848 lb (3 560 kg)*	7,848 lb (3 560 kg)*	6,019 lb (2 730 kg)*	5,027 lb (2 280 kg)	20 ft 0 in (6.1 m)	5,137 lb (2 330 kg)*	4,872 lb (2 210 kg)
14 ft 9 in (4.5 m)			8,929 lb (4 050 kg)*	7,959 lb (3 610 kg)	8,311 lb (3 770 kg)*	5,004 lb (2 270 kg)	22 ft 8 in (6.9 m)	4,784 lb (2 170 kg)*	3,902 lb (1 770 kg)
9 ft 10 in (3.0 m)	16,424 lb (7 450 kg)*	13,536 lb (6 140 kg)	11,133 lb (5 050 kg)*	7,385 lb (3 350 kg)	8,400 lb (3 810 kg)	4,784 lb (2 170 kg)	23 ft 11 in (7.3 m)	4,740 lb (2 150 kg)*	3,461 lb (1 570 kg)
4 ft 11 in (1.5 m)			12,566 lb (5 700 kg)	6,812 lb (3 090 kg)	8,113 lb (3 680 kg)	4,542 lb (2 060 kg)	24 ft 2 in (7.37 m)	4,960 lb (2 250 kg)*	3,329 lb (1 510 kg)
0 ft (0 m)	11,795 lb (5 350 kg)*	11,530 lb (5 230 kg)*	12,147 lb (5 510 kg)	6,460 lb (2 930 kg)	7,893 lb (3 580 kg)	4,365 lb (1 980 kg)	23 ft 5 in (7.13 m)	5,467 lb (2 480 kg)*	3,439 lb (1 560 kg)
-4 ft 11 in (-1.5 m)	19,952 lb (9 050 kg)*	11,552 lb (5 240 kg)	12,037 lb (5 460 kg)	6,371 lb (2 890 kg)	7,870 lb (3 570 kg)	4,321 lb (1 960 kg)	21 ft 5 in (6.53 m)	6,548 lb (2 970 kg)*	3,880 lb (1 760 kg)
-9 ft 10 in (-3.0 m)			12,236 lb (5 550 kg)	6,526 lb (2 960 kg)			-	-	-

NOTE: *The above loads (kg) are compliant to the ISO standards and refer to the excavator equipped without bucket. The indicated loads are no more than 87% of hydraulic system lift capacity or 75% of static tipping load. Values marked with an asterisk (*) are limited by the hydraulic lifting capacity.

STANDARD EQUIPMENT

ENGINE

Cummins B4.5, water-cooled, 4-cylinder in line, 4.5-liter, high pressure common rail system (electronic control), waste gate turbocharger with air cooled intercooler, DOC+DPF+SCR aftertreatment, EGR free engine

Rated flywheel horsepower:

ISO 9249	170 hp (127 kW) @ 2200 RPM
ISO 14396	173 hp (129 kW) @ 2200 RPM

Maximum torque:

ISO 14396	575 ft-lb (780 Nm) @ 1500 RPM
-----------	-------------------------------

Tier 4 Final / Stage V certified

Ultra-low sulfur diesel and B7 biodiesel fuel certified

ECO gauge fuel efficiency indicator

Detailed historical fuel, work modes and throttle position utilization report

Variable power control on jog dial

Automatic, postponable after-treatment filter cleaning

Programmable electronically-controlled reversible fan

Programmable engine Auto Idle and Auto Shutdown functions

Automatic or manually controlled 9.2 gpm (35 L/min) electric refuel pump

DEF tank overload warning

Air intake cup-type pre-cleaner

Dual dry-type element air filter with warning restriction indicator

Air grid heater starting aid

Replaceable, full flow spin-on fuel and engine oil cartridges

Fuel pre-filter with water drain

Stacked cooling pack configuration

Protective screen for radiators

HYDRAULIC SYSTEM

Load sensing hydraulic system (LUDV) with advanced flow sharing hydraulics

3 - selectable work modes: Heavy Duty, Standard and Economy

1 - selectable user customized work mode - engine speed, idle speed, machine speed and pump flow

High flow multi-function with pressure setting circuit for one-way and two-way flow attachments

In monitor hydraulic settings storage and management for 10 one-way and 10 two-way attachments

3 - attachment work modes - push/detent/proportional

Quick coupler hydraulic circuit

Safety valves on boom with overload warning

Safety valves on arm, dozer blade, front axle oscillation cylinders

Power boost mode activated on joystick

Accumulator on boom cylinders for cushioning ride control system

Boom float control

High pressure hoses

Main pump Variable displacement piston pump

Max. oil flow	61.3 gpm (232 l/min) @ 1600 RPM
---------------	---------------------------------

Working circuit pressures

Boom/Arm/Bucket	4,975 psi (34.3 MPa) / 5,410 psi (37.3 MPa) with auto power boost
Swing circuit	3,844 psi (26.5 MPa)
Travel circuit	5,410 psi (37.3 MPa)
Pilot circuit	566 psi (3.9 MPa)

SWING

Fixed displacement radial piston swing motor

Automatic, spring applied hydraulic release (SAHR) swing brake system

Fine swing for precise and smooth upper carriage rotation

Swing lock to prevent undesirable upper carriage rotation

Maximum swing speed	9.5 RPM
Swing torque	23,307 ft-lb (31 600 Nm)

ELECTRICAL SYSTEM

Battery disconnect switch

Emergency engine stop switch

Voltage	24 V
Alternator	95 amp
Starter	24 V - 4.8 kW
Batteries	2 X 12 V - 100 Ah

UNDERCARRIAGE

Removable parallel mounting bolt-on designed rear blade and front stabilizers

Trailer hitch mount/provision with electrical connector for lights and hydraulic trailer dump single auxiliary hydraulic line (return by gravity)

Cab access steps

Toolbox with upper carriage access steps

Lashing points (tie downs)

UPPER CARRIAGE

Standard counterweight

Front and right-hand side handrails

Lockable cab door, fuel and DEF tanks, service doors and tool box

Rear work lamp

Head lights and indicator lights

LED working lights package

ATTACHMENTS

2-piece boom

Digging arm	8 ft (2.45 m)
-------------	---------------

Digging arm reinforcements

Reinforced pins, bushings and polymer shims

DRIVELINE

2-speed hydrostatic powershift transmission

Permanent 4-wheel drive and front axle steering

Variable displacement bent-axis axial piston travel motor

Orbitrol steering system

Emergency steering system

Minimum turning radius	20 ft 8 in (6.3 m)
------------------------	--------------------

Automatic or manually controlled front axle oscillation lock

Fixed rear axle

4-sets of twin pneumatic tires

Wet multi-disc work/travel brakes

Wet multi-disc integrated in transmission park brake

Travel alarm

All around composite fenders - steerable on the front axle

High travel speed (Automatic travel speed shifting)

	24.8 mph (40 km/h)
--	--------------------

Low travel speed

	6.2 mph (10 km/h)
--	-------------------

Creep speed

	1.9 mph (3 km/h)
--	------------------

Drawbar pull

	17,985 lbf (80 kN)
--	--------------------

Gradeability

	70% (35°)
--	-----------

OPERATOR'S STATION

Enclosed pressurized cab with air conditioning, heat and defrost with full climate control and lockable door

ROPS/FOPS certified

Standard same ignition key and all-around anti-vandalism key

One piece sliding fold-in front window and sliding left-hand side window

Safety glass for all windows, including laminated glass for front window for added protection

Sliding side window (left-hand)

High-back premium heated air-suspension and tilting seat

Sliding fore/after, weight, height, pan angle, depth, lumbar and backrest seat adjustments

Seatbelt and seatbelt warning system

Adjustable armrests and headrest

Gate lock hydraulic activation

Low-effort joystick controls

Joystick equipped proportional control, FNR transmission switch, detent activation and front axle oscillation lock

Selectable steering wheel or right-hand joystick steering

Slim 3-way adjustable steering column design

8 in touchscreen monitor with instruments cluster

Instrument cluster navigation, air conditioning control and engine throttle powered by right-hand console jog dial module

Instrument cluster gauges: engine RPM, engine coolant temperature, hydraulic oil temperature, fuel level, DEF level, ECO, accelerometer dial, hourmeter

CASE MaxView 360-degree 4-camera with intelligent moving object detection technology and warning system for up to 16 ft 4 in (5 m) around the machine

Radar object detection and warning system for up to 32 ft 9 in (10 m) on the rear of the machine

Audio system including radio player, USB MP3 player, aux-in port for personal electronics and Bluetooth capability for hands-free calling

12-volt electric outlet

Adjustable speed cruise control mode

Emergency FNR switch

4-wheel auto-brake mode for attachment operation

Ride control system for smooth traveling and reduced attachment spillage

Clear roof view with sunshade

Rain deflector

Interior dome light

Emergency exit and hammer

2-piece rubber floor mat

Exterior mirrors

Cup holder

Storage compartments

Warm/cool storage compartment

Electric horn

Parallel windshield wiper and windshield washer

Cab filters (internal and external)

Cab suspension mounts to minimize noise and vibration

Operator's manual

NOISE

External sound level	LwA 96 dB(A)
Operator cab sound pressure level	LpA 71 dB(A)

CIRCUIT AND COMPONENT CAPACITIES

Fuel tank	66 gal (250 L)
Hydraulic system	54 gal (204 L)
Hydraulic tank	32 gal (122 L)
DEF tank	12.7 gal (48 L)

MAINTENANCE

Full Machine Protection Factory Warranty (3-yr/3000-hr), Planned Maintenance (3-yr/2000-hr)

Single-point engine daily checks under engine hood

Self-diagnostics system

Service interval:

- 250-hr greasing on boom and arm pins and bushings
- 800-h engine oil and filter
- 1,000-hr fuel filter and pre-filter
- 2,000-hr air filters
- 5,000-hr hydraulic oil

OPTIONAL EQUIPMENT

HYDRAULICS

Secondary low 2-way flow electronic proportional controlled auxiliary hydraulics
Fine Swing control
Cold climate hydraulic oil

OPERATOR ENVIRONMENT

Rear view camera only
Rear and right-side cameras
Smart key with push to start button

FRONT END EQUIPMENT

Digging arm	6 ft 7 in (2 m)
Digging arm	8 ft 6 in (2.6 m)
Digging arm	10 ft 2 in (3.1 m)
Monoboam (ride control not available)	

UPPER STRUCTURE

FOPS top cab guard
Wire mesh screen front guard
OPG Level 2 front guard

UNDERCARRIAGE

Rear blade
2F/2R stabilizers
F/R blade
Solid tires

CaseCE.com

©2023 CNH Industrial America LLC. All rights reserved. CASE is a trademark registered in the United States and many other countries, owned by or licensed to CNH Industrial N.V., its subsidiaries or affiliates. CNH Industrial Capital is a trademark in the United States and many other countries, owned by or licensed to CNH Industrial N.V., its subsidiaries or affiliates. Printed in U.S.A. Contains 10% post-consumer fiber.

IMPORTANT: CASE Construction Equipment Inc. reserves the right to change these specifications without notice and without incurring any obligation relating to such change. Availability of some models and equipment builds vary according to the country in which the equipment is used. The illustrations and text may include optional equipment and accessories and may not include all standard equipment. Your CASE dealer/distributor will be able to give you details of the products and their specifications available in your area.



CASE Construction Equipment is biodiesel-friendly. NOTE: All engines meet current EPA emissions regulations. All specifications are stated in accordance with SAE Standards or Recommended Practices, where applicable.



Always read the Operator's Manual before operating any equipment. Inspect equipment before using it, and be sure it is operating properly. Follow the product safety signs and use any safety features provided.

Form No. CCE202306WX140E

WX140E

11 of 11